

**ROTAX**<sup>®</sup>  
NEW AGE KARTING



# **CATALOGUE PIECES DE RECHANGE SPARE PARTS CATALOGUE**

**125MAX RACING  
J125MAX FFSA  
125 MINIMAX  
125 MICROMAX**



**125MAX RACING  
J125 MAX FFSA  
125 MINIMAX  
125 MICROMAX**



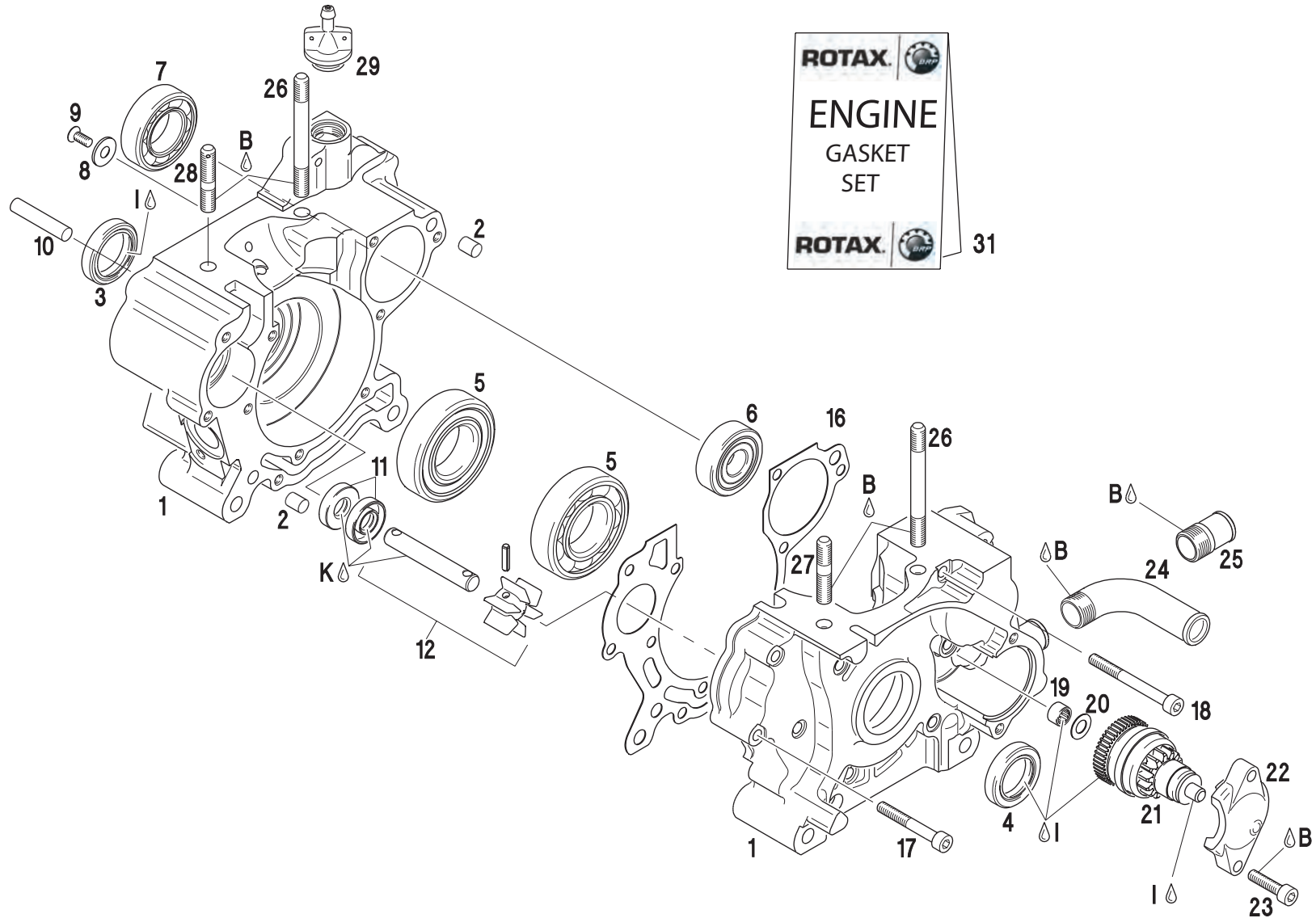
**ECLMR006**

**TABLE DES MATIÈRES  
TABLE OF CONTENTS**

CARTER-POMPE A EAU-DEMARREUR CRANKCASE-WATER PUMP-STARTER .....	4
VILO-PISTON-POMPE A EAU CRANKSHAFT-PISTON-WATER PUMP .....	6
CYLINDRE CYLINDER .....	8
EMBRAYAGE-PIGNON 2009 CLUTCH-SPROCKET 2009 .....	10
ALLUMAGE-DEMARREUR-BATTERIE IGNITION UNIT-STARTER-BATTERY .....	12
CARBURATEUR-POMPE A ESSENCE CARBURETTOR-FUEL PUMP .....	14
RADIATEUR (AVEC THERMOSTAT) RADIATOR (WITH THERMOSTAT) .....	16
BOITE A AIR NEW GENERATION INTAKE SILENCER .....	18
ECHAPPEMENT EXHAUST SYSTEM .....	20
OUTILLAGE REPAIR TOOLS .....	22

**NOTA : Les pièces représentées sur l'éclaté sans repère ne sont pas disponibles à la vente**

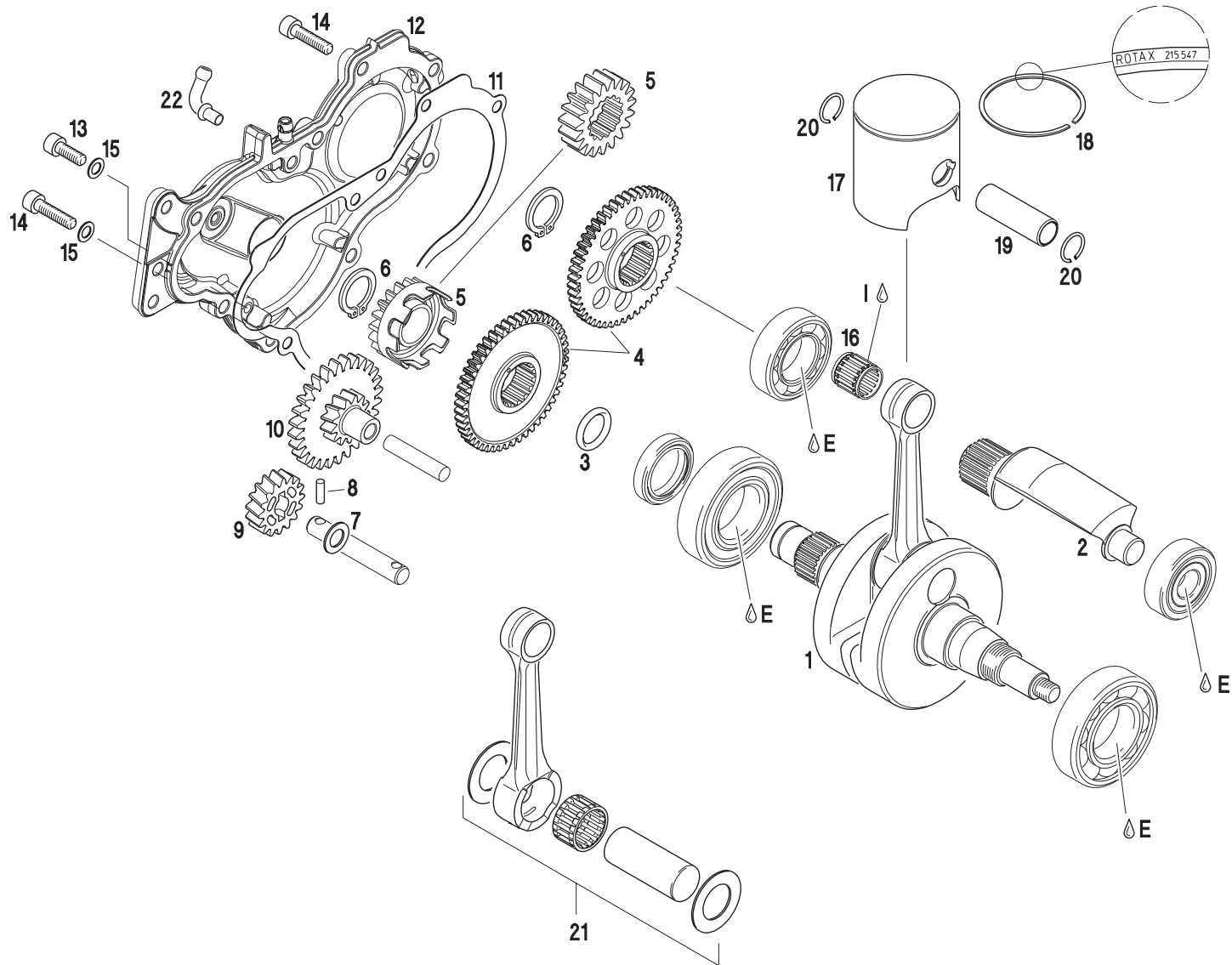
# CARTER-POMPE A EAU-DEMARREUR CRANKCASE-WATER PUMP-STARTER



ITEM	REFERENCE	DESIGNATION	QTY
1	PMFR311.001	CARTER COMPLET / CRANKCASE ASSY	1
2	PMFR312.001	PION DE CARTER 8 X12 / PIN 8X12 DIN 5402	2
3	PMFR313.003	JOINT SPI VILO / OIL SEAL 28X38X7	1
4	PMFR313.002	JOINT SPI VILO COTE EMBRAYAGE / OIL SEAL 25X38X7	1
5	PMFR315.003	ROULEMENT VILO / BALL BEARING	2
6	PMFR315.001	ROULEMENT BOUT D'ARBRE / BALL BEARING 6302	1
7	PMFR315.002	ROULEMENT D'ARBRE D'EQUILIB. / BALL BEARING 6005	1
8	PMFR314.002	RONDELLE / THRUST WASHER	1
9	PMFR411.010	VIS FHC M5X12 / TIGHTENING TORQUE 6MM	1
10	PMFR329.004	PION DE CENTRAGE 6X40 / LOCATING PIN 6X40	1
11	PMFR401.003	JOINT SPI DE POMPE A EAU / OIL SEAL 10X26X7	2
12	PMFR401.020	KIT DE POMPE A EAU / WATER PUMP SHAFT ASSY	1
16	PMFR313.001	JOINT CENTRAL / GASKET	1
17	B1.C0645P	VIS CHC M6X45 FP 8.8 / ZINC SCREW CHC 6X45 8.8	8
18	B1.C0660	VIS CHC M6X60 FP 8.8 / ZINC SCREW CHC 6X60 8.8	2
19	PMFR314.001	CAGE A AIGUILLE d8 D12 EP8 / NEEDLE BUSHING 8X12X8	1
20	PMFR314.004	RONDELLE DE CALAGE 8.5X15X0.50 / THRUST WASHER 8.5X15X0.5	1
21	PMFR363.005	RENOI DE DEMARREUR / STARTER REDUCTION GEAR ASSY	1
22	PMFR363.002	COUVERCLE REDUCTION DEMARREUR / REDUCTION GEAR COVER	1
23	B1.C0625	VIS CHC M6X25 FT 8.8 / ZINC SCREW CHC 6X25 8.8	2
24	PMFR402.003	RACCORD COUDE 2002 / BENT SOCKET	1
25	PMFR402.000	RACCORD / TUBE	1
26	PMFR329.003	GOUJON CYLINDRE M8X57X20 / STUD M8X57/20	2
27	PMFR329.002	GOUJON CYLINDRE M8X28X20 / STUD M8X28/20	1
28	PMFR329.103	GOUJON CYLINDRE M8X28/20 DD2 / STUD M8X28/20	1
29	PMFR311.004	RENIPLARD M18X1.5 / AIR VENT SCREW M18X1.5	1
31	PMFR328.001	ENSEMBLE JOINTS MOTEUR / GASKET SET ASSY FOR THE ENGINE	1

ITEM	REFERENCE	DESIGNATION	QTY
------	-----------	-------------	-----

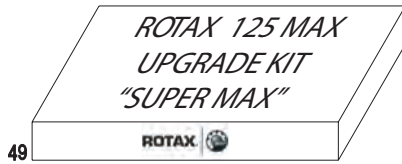
# VILO-PISTON-POMPE A EAU CRANKSHAFT-PISTON-WATER PUMP



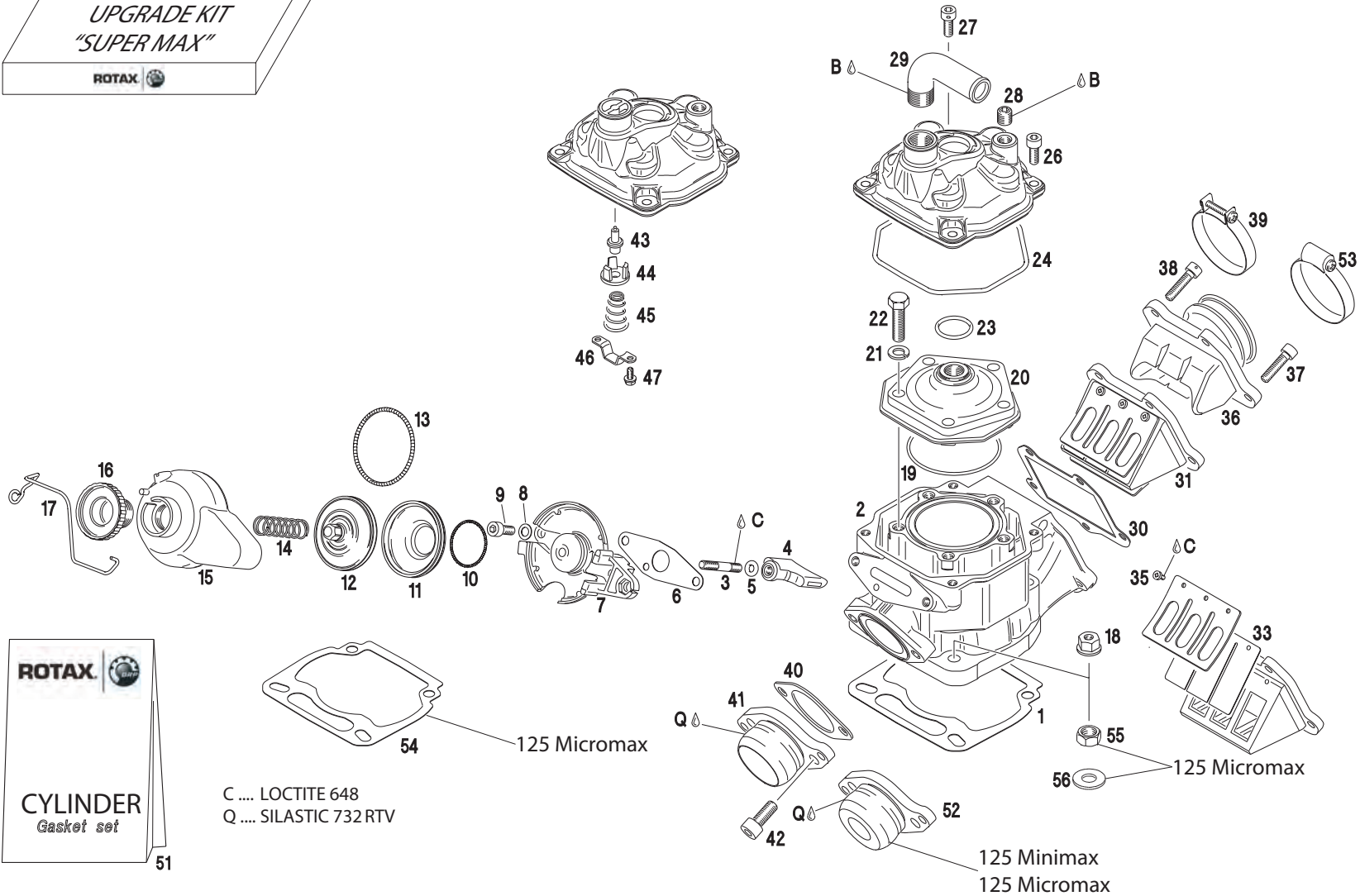
ITEM	REFERENCE	DESIGNATION	QTY
1	PMFR331.002	VILEBREQUIN COMPLET / CRANKSHAFT ASSY	1
2	PMFR331.001	ARBRE D'EQUILIBRAGE / BALANCE SHAFT	1
3	PMFR313.004	JOINT TORIQUE 18X3.5 / O-RING 18X3.5	1
4	PMFR382.050	PIGNON DE BALANCIER ACIER / STEEL BALANCING GEAR	2
5	PMFR401.006	PIGNON ENTRAINEMENT 19D ACIER / DRIVE GEAR 19T	1
5	PMFR401.016	PIGNON ENTRAINEMENT 19D PLAST. / PLASTIC WATER PUMP GEAR 19 T	1
6	PMFR382.162	CLIPS MAX / DD2 / RETAINING RING 20X1.2	2
7	PMFR401.010	RONDELLE DE CALAGE 10.1X17X1 / THRUST WASHER 10.1/17/1	1
8	PMFR401.008	PION D4 L15.8 / NEEDLE PIN 4X15.8	1
9	PMFR401.005	PIGNON DE POMPE A EAU / WATER PUMP PINION 16 T	1
10	PMFR401.007	PIGNON INTERMED.POMPE EAU / IDLE GEAR 28/13 T	1
11	PMFR311.003	JOINT DE CARTER D'ENTRAINEMENT / GASKET	1
12	PMFR311.002	CARTER D'ENTRAINEMENT / GEARBOX COVER	1
13	PMFR411.002	VIS CHC M6X16 / ALLEN SCREW M6X16	1
14	PMFR411.005	VIS CHC M6X30 / ALLEN SCREW M6X30 DIN 912	2
15	PMFR311.005	JOINT CUIVRE COUVERCLE CARTER / GASKET RING 6X10	2
16	PMFR326.102	CAGE A AIGUILLE 15X19X20 / NEEDLE CAGE 15X19X20	1
17	PMFR324.397	PISTON COMPLET 53.97 / PISTON ASSY 53.97	1
17	PMFR324.398	PISTON COMPLET 53.98 / PISTON ASSY 53.98	1
17	PMFR324.399	PISTON COMPLET 53.99 / PISTON ASSY 53.99	1
17	PMFR324.400	PISTON COMPLET 54.00 / PISTON ASSY 54.00	1
18	PMFR325.001	SEGMENT / RECTANGULAR RING IS2-52/49.4X1	1
19	PMFR326.001	AXE DE PISTON / PISTON PIN 15X10/12.5X45.6	1
20	PMFR327.001	CLIPS DE PISTON / CIRCLIP 15	2
21	PMFR332.001	KIT BIELLE COMPLET / CRANKSHAFT REPAIR SET	1
22	PMFR393.003	PRISE DE DEPRESSION / IMPULSE FITTING	1

ITEM	REFERENCE	DESIGNATION	QTY
------	-----------	-------------	-----

# CYLINDRE CYLINDER



49



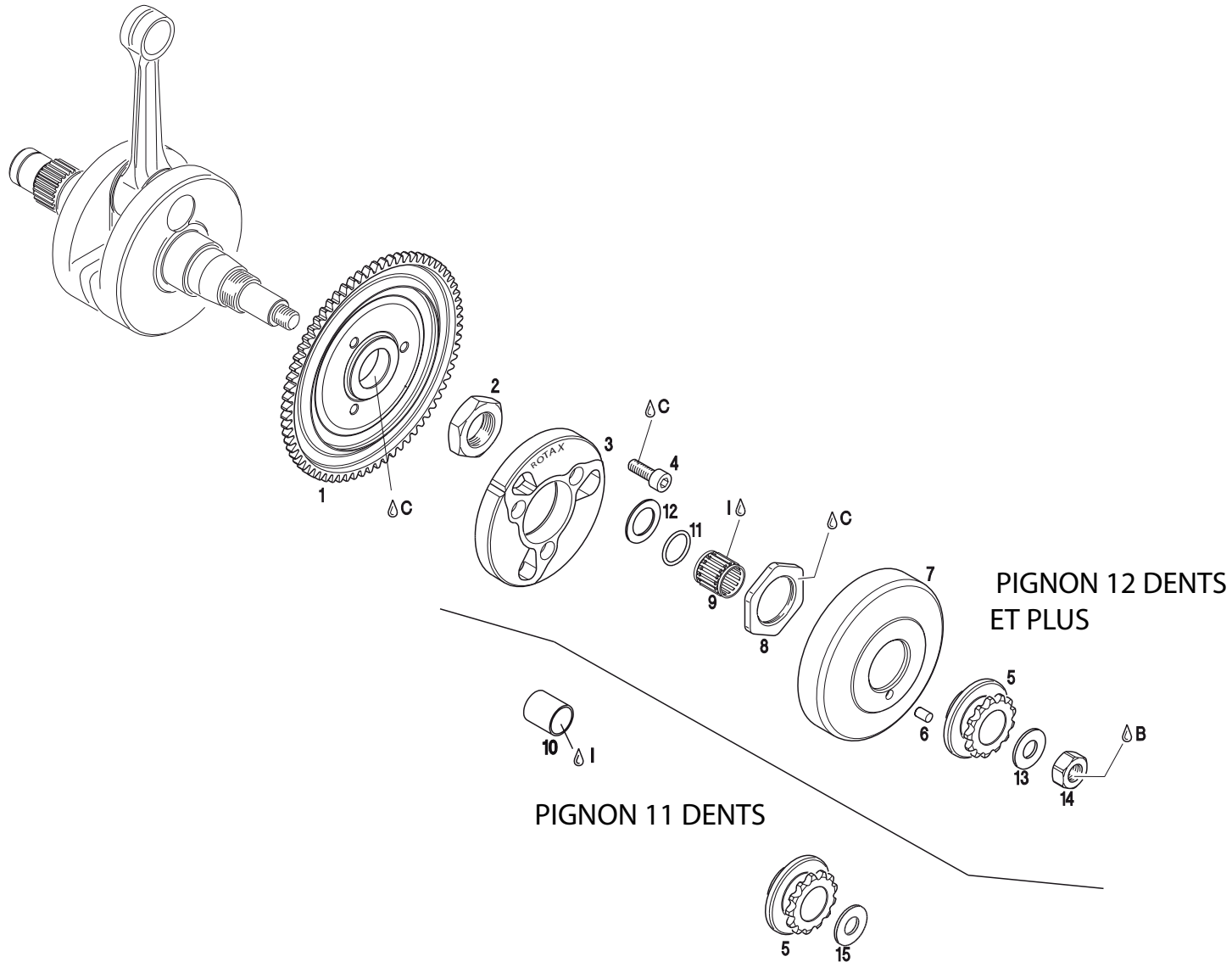
51



ITEM	REFERENCE	DESIGNATION	QTY
C	LU861.003	LOCTITE 648 VERT 5GR / LOCTITE 648 GREEN 5 GR	1
Q	LU851.003	SILASTIC 732 RTV 100GR / SILASTIC 732RTV 100 GR	1
1	PMFR328.012	JOINT D'EMBASE EP 0.2 / GASKET 0.2 MM	1
1	PMFR328.002	JOINT D'EMBASE EP 0.3 / GASKET 0.3 MM	1
1	PMFR328.011	JOINT D'EMBASE EP 0.4 / GASKET 0.4 MM	1
1	PMFR328.003	JOINT D'EMBASE EP 0.5 / GASKET 0.5 MM	1
1	PMFR328.004	JOINT D'EMBASE EP 0.8 / GASKET 0.8 MM	1
2	PMFR321.000	CYLINDRE RACING 'A' / CYLINDER 'A'	1
2	PMFR321.001	CYLINDRE RACING 'B' / CYLINDER 'B'	1
2	PMFR321.002	CYLINDRE RACING 'AB' / CYLINDER 'AB'	1
2	PMFR321.003	CYLINDRE JUNIOR/J125 'A' / JUNIOR ENGINE CYLINDER 'A'	1
2	PMFR321.004	CYLINDRE JUNIOR/J125 'B' / JUNIOR ENGINE CYLINDER 'B'	1
2	PMFR321.005	CYLINDRE JUNIOR/J125 'AB' / JUNIOR ENGINE CYLINDER 'AB'	1
3	PMFR411.000	GOUJON M6X45.5 / STUD M6X45.5	1
4	PMFR374.004	GUILLOTINE / EXHAUST VALVE	1
5	PMFR374.005	JOINT TORIQUE 6X3 / O-RING 6X3	1
6	PMFR344.001	JOINT DE VALVE / GASKET	1
7	PMFR374.003	CORPS DE GUILLOTINE / VALVE ROD HOUSING	1
8	PMFR383.009	RONDELLE d6 FREIN / SPRING WASHER B6	2
9	PMFR411.002	VIS CHC M6X16 / ALLEN SCREW M6X16	2
10	PMFR374.013	RESSORT SERRAGE CORPS VALVE / HOSE SPRING 70-1.7-0.3	1
11	PMFR374.006	MEMBRANE / BELLOWS	1
12	PMFR374.007	PISTON DE VALVE D'ECHAPPEMENT / EXHAUST VALVE PISTON	1
13	PMFR374.008	RESSORT SERRAGE PISTON VALVE / HOSE SPRING 134-2.3-0.4-0.0	1
14	PMFR374.009	RESSORT DM13.2 L42.5/0.8MM / COMPRESSION SPRING 42.5/0.8MM	1
15	PMFR374.002	CAPOT DE VALVE D'ECHAPPEMENT / VALVE COVER	1
16	PMFR374.011	VIS DE REGLAGE MODELE 2002 / ADJUSTMENT SCREW	1
17	PMFR374.001	AGRAFE / SPRING CLIP	1
18	PMFR329.104	ECROU CYLINDRE / COLLAR NUT M8	4
19	PMFR328.007	JOINT TORIQUE 64X2 / O-RING 64X2	1
20	PMFR322.004	CULASSE / COMBUSTION CHAMBER INSERT	1
21	PMFR413.003	RONDELLE d8 FREIN / LOCK WASHER A8	5
22	PMFR411.011	VIS TH M8X30 / HEX. SCREW M8X30 DIN 933	5
23	PMFR328.006	JOINT TORIQUE 23.3X2.4 / O-RING 23.3X2.4	1

ITEM	REFERENCE	DESIGNATION	QTY
24	PMFR328.005	JOINT TORIQUE 105X2.5 / O-RING 105X2.5	1
26	PMFR411.002	VIS CHC M6X16 / ALLEN SCREW M6X16	3
27	PMFR411.013	VIS M6X25 PERCEE POUR PLOMBAGE / ALLEN SCREW M6X25 WITH HOLE	1
28	PMFR322.001	BOUCHON 1.8 TORQUE 10 NM / PLUG SCREW 1/8-27 TORQUE 10 NM	1
29	PMFR402.003	RACCORD COUDE 2002 / BENT SOCKET	1
30	PMFR354.001	JOINT DE BOITE A CLAPETS / GASKET	1
31	PMFR351.001	BOITE A CLAPETS COMPLETE / REED VALVE ASSY	1
33	PMFR352.001	CLAPET / REED PETAL	2
35	PMFR411.009	VIS DE LAMELLES M3X6 / SLOTTED HEAD SCREW M3X6	6
36	PMFR351.002	COUVERCLE DE BOITE A CLAPETS / CARBURETTOR FLANGE 42.5 MM	1
37	B1.C0625	VIS CHC M6X25 FT 8.8 / ZINC SCREW CHC 6X25 8.8	4
38	PMFR411.013	VIS M6X25 PERCEE POUR PLOMBAGE / ALLEN SCREW M6X25 WITH HOLE	1
39	PMFR391.002	COLLIER DE CARBURATEUR / HOSE CLAMP 51	1
40	PMFR373.001	JOINT D'ECHAPPEMENT / GASKET	1
41	PMFR372.001	ROTULE D'ECHAPPEMENT MAX/DD2 / EXHAUST SOCKET ASSY	1
42	PMFR411.008	VIS CHC M8X20 / ALLEN SCREW M8X20	2
43	PMFR322.121	THERMOSTAT DD2+MAX / THERMOSTAT	1
44	PMFR322.122	SUPPORT THERMOSTAT DD2+MAX / THERMOSTAT HOLDER	1
45	PMFR322.123	RESSORT THERMOSTAT DD2+MAX / THERMOSTAT SPRING	1
46	PMFR322.124	ATTACHE DE THERMOSTAT DD2+MAX / THERMOSTAT RETAINING BRACKET	1
47	B1.T0408	VIS TH M4X8 / SCREW M4X8	2
49	PMFR434.001	KIT CYLINDRE SUPER MAX / KIT SUPERMAX	1
51	PMFR328.008	ENSEMBLE JOINTS HAUT MOT / GASKET SET CYL	1
52	PMFR372.003	BRIDE ECHAPP MINIMAX MICROMAX / 'MICROMAX' EXHAUST SOCKET ASSY	1
53	PMFR392.008	COLLIER 50/70 / CLAMP 50/70	1
54	PMFR328.013	PLAQUE EMBASE CYL. MICROMAX / RESTRICTION PLATE MICROMAX	1
55	PMFR329.105	ECROU CYLINDRE MICROMAX M8 / COLLAR NUT M8 FOR MICROMAX	1
56	PMFR329.005	RONDELLE D8.4 / WASHER 8.4	1

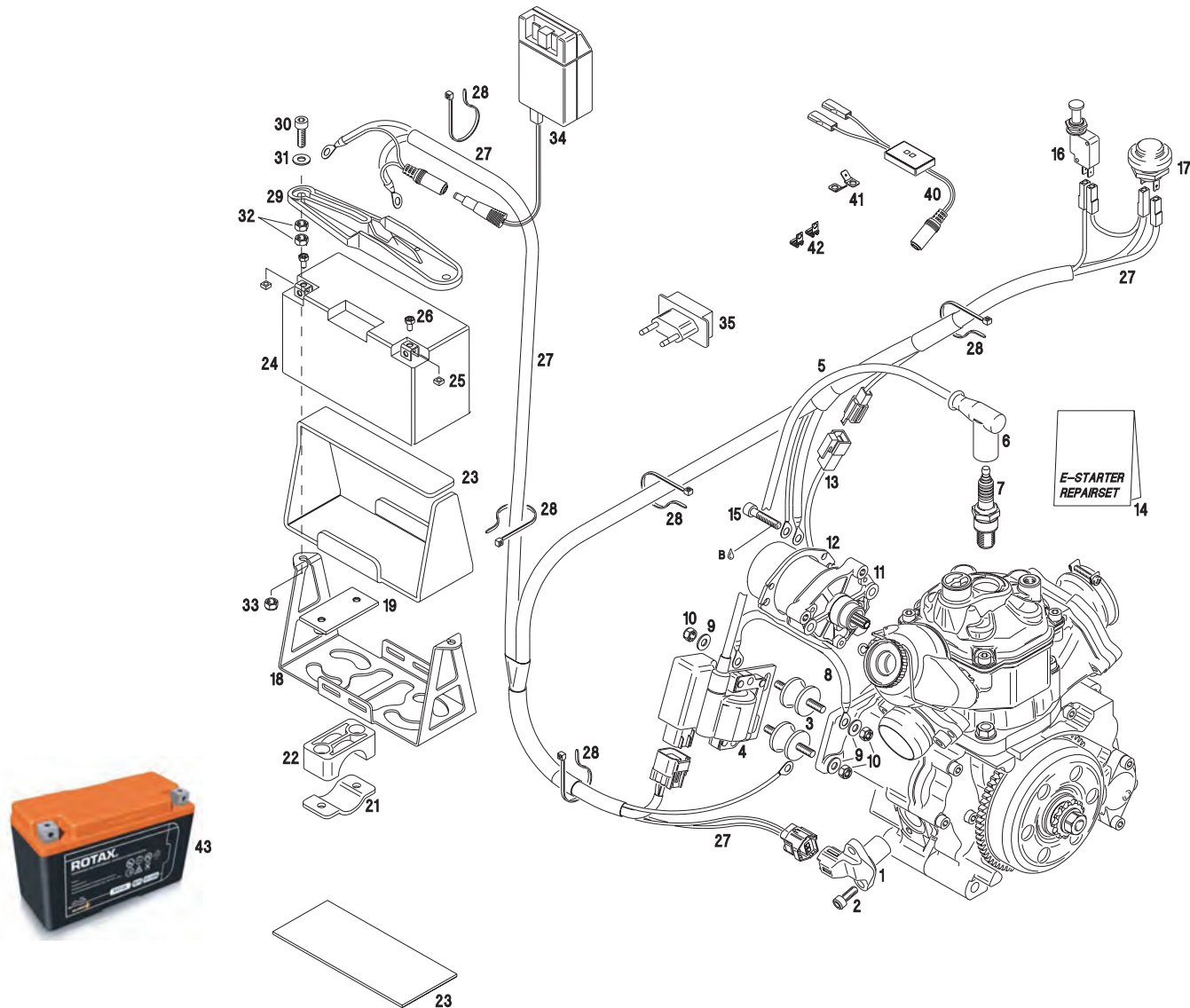
# EMBAYAGE-PIGNON 2009 CLUTCH-SPROCKET 2009



ITEM	REFERENCE	DESIGNATION	QTY
0	PMFR381.050	KIT EMBRAYAGE MAX / KIT CLUTCH 125 MAX	1
C	LU861.003	LOCTITE 648 VERT 5GR / LOCTITE 648 GREEN 5 GR	1
1	PMFR381.003	COURONNE D'EMBAYAGE 2009 / 2009 STARTER GEAR ASSY	1
2	PMFR383.004	ECROU DE PLATEAU EMBRAYAGE / HEX.NUT M20X1.5DIN936 TORQ.100	1
3	PMFR382.030	MOYEU D'EMBAYAGE / FLY WEIGHT	1
4	PMFR411.015	VIS CHC M6X12 / ALLEN SCREW M6X12	3
5	PMFR382.008	PIGNON 13 DENTS (PION) / SPROCKET 13 TEETH (PIN)	1
5	PMFR382.011	PIGNON 11 DENTS (BAGUE) / SPROCKET 11 T	1
5	PMFR382.009	PIGNON 14 DENTS (PION) / SPROCKET 14 TEETH (PIN)	1
5	PMFR382.015	PIGNON 15 DENTS (PION) / SPROCKET 15 TEETH (PIN)	1
5	PMFR382.016	PIGNON 16 DENTS (PION) / SPROCKET 16 TEETH (PIN)	1
5	PMFR382.007	PIGNON 12 DENTS (PION) / SPROCKET 12 TEETH (PIN)	1
6	PMFR382.010	PION DE PIGNON D5 L5 / NEEDLE PIN 5 X 5 NEW MODEL	1
7	PMFR382.001	CLOCHE D'EMBAYAGE / CLUTCH DRUM	1
8	PMFR382.003	ECROU DE PIGNON / HEX.NUT TIGH.TORQUE 12NM+1TURN	1
9	PMFR326.103	CAGE A AIGUILLE MAX 15X19X17 / NEEDLE CAGE 15X19X17	1
10	PMFR415.001	BAGUE POUR PIGNON 11 DENTS / PLAIN BEARING 11 T	1
11	PMFR382.114	JOINT EMBRAYAGE MAX+DD2 / O-RING	1
12	PMFR314.003	RONDELLE CALAGE d15.2 D25 EP1 / THRUST WASHER 15.2/25/1	1
13	PMFR413.002	RONDELLE d10 D22 EP1.5 / THRUST WASHER 10/22/1.5	1
14	PMFR383.005	ECROU FIN M10X1 / HEX.NUT M10X1DIN934TIG.TOR60NM	1
15	B3.P1019	RONDELLE PLATE d10 D19 EP 1.5 / THRUST WASHER d10 D19 1.5	1

ITEM	REFERENCE	DESIGNATION	QTY
------	-----------	-------------	-----

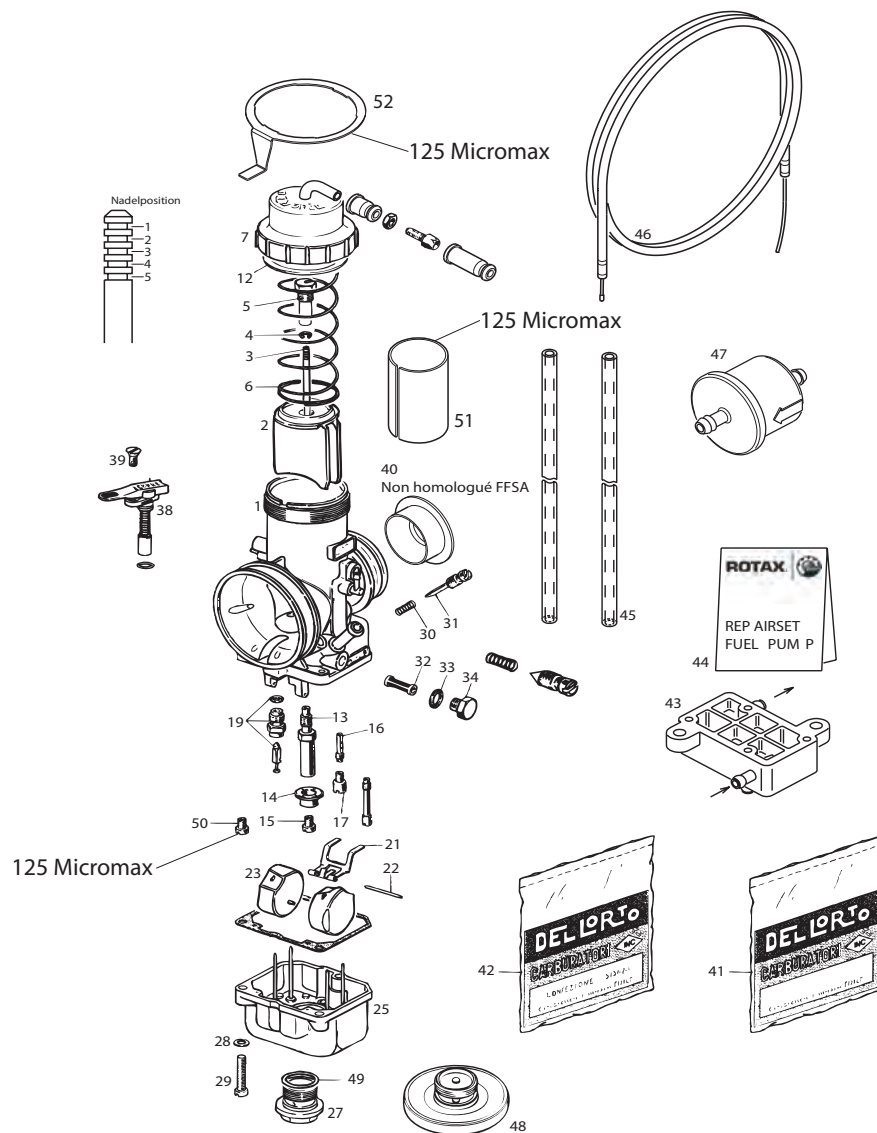
# ALLUMAGE-DEMARREUR-BATTERIE IGNITION UNIT-STARTER-BATTERY



ITEM	REFERENCE	DESIGNATION	QTY
1	PMFR362.002	CAPTEUR D'ALLUMAGE / PICK UP	1
2	PMFR411.002	VIS CHC M6X16 / ALLEN SCREW M6X16	2
3	PMFR362.003	SILENTBLOC BOBINE / RUBBER BUFFER 25X20XM6	2
4	PMFR362.001	BOBINE D'ALLUMAGE / IGNITION COIL	1
5	PMFR362.004	CABLE DE BOBINE D'ALLUMAGE / INGNITION CABLE 360MM	1
6	PMFR366.001	CAPUCHON DE BOUGIE / SPARK PLUG CONNECTOR	1
7	PM366.010	BOUGIE DENSO IW27 / DENSO SPARK PLUG IW27	1
7	PM366.013	BOUGIE DENSO IW29 / DENSO SPARK PLUG IW29	1
7	PM366.011	BOUGIE DENSO IW31 / DENSO SPARK PLUG IW31	1
7	PM366.012	BOUGIE DENSO IW34 / DENSO SPARK PLUG IW34	1
8	PMFR365.013	TRESSE DE MASSE/FAISCEAU / MASS CABLE	1
9	PMFR413.001	RONDELLE PLATE d6.4 / WASHER 6.4 DIN 134	4
10	B2.N06	ECROU M6 NYLSTOP / ZINC NUT M6 NYLSTOP	4
11	PMFR363.003	DEMARREUR ELECTRIQUE COMPLET / ELECTRIC STARTER ASSY	1
12	PMFR363.011	BAGUE SUPPORT DEMARREUR / STARTER SUPPORT	1
13	PMFR365.104	CABLE ELECTRIQUE / CABLE ASSY	1
14	PMFR363.006	KIT DE REPARATION DEMARREUR / REPAIRING SET ELECTRIC STARTER	1
16	PMFR363.004	DISJONCTEUR/CONTACT / AUTOMATIC FUSE	1
17	PMFR363.001	BOUTON POUSSOIR DE DEMARREUR / START BUTTON	1
18	PMFR364.023	SUPPORT BATTERIE 2008 / 2008 BATTERY CLAMP	1
19	PMFR364.014	KIT FIX SUPPORT BATTERIE D32 / PIPE CHAMP D32	1
21	PMFR364.020	COLLIER FIX SUPPORT BATTERIE / PIPE CLAMP	2
22	PMFR364.013	KIT FIX SUPPORT BATTERIE D30 / PIPE CHAMP D30	1
22	PMFR364.014	KIT FIX SUPPORT BATTERIE D32 / PIPE CHAMP D32	1
23	PMFR364.025	PLAQUE CAOUTCHOUC / RUBBER PAD	1
23	PMFR364.026	PLAQUE CAOUTCHOUC 2008 / 2008 RUBBER PAD	1
24	PMFR364.021	BATTERIE ROTAX- 12V RX7-12B / ROTAX BATTERY- 12V RX7-12B	1
27	PMFR365.003	FAISCEAU ELECTRIQUE 2006 / CABLE HARNESS	1
28	PMFR365.000	COLLIER PLASTIQUE 203X4.6 MM / CLAMP 203X4.6 MM	6
29	PMFR364.015	COUVERCLE DE BATTERIE / BLACK BATTERY COVER	1
30	B1.C0620	VIS CHC M6X20 FT 8.8 / ZINC SCREW CHC 6X20 8.8	2
31	PMFR413.001	RONDELLE PLATE d6.4 / WASHER 6.4 DIN 134	2
32	B2.N06	ECROU M6 NYLSTOP / ZINC NUT M6 NYLSTOP	4
33	B2.N06	ECROU M6 NYLSTOP / ZINC NUT M6 NYLSTOP	2

ITEM	REFERENCE	DESIGNATION	QTY
34	PMFR364.002	CHARGEUR DE BATTERIE 12V / BATTERY CHARGER	1
35	PMDD364.001	ADAPTATEUR ELECTRIQUE ZONE EUR / ELECTRICAL ADAPTOR EURO	1
40	PMFR364.016	CORDON CHARGEUR + PROTECTION / CONNECTOR CABLE + PROTECTION	1
41	PMFR364.019	ADAPTATEUR BATT. COSSE VISSEE / BATTERY CONNECTOR <2007	2
42	PMFR364.022	ADAPTATEUR BATT. COSSE PLATE / BATTERY CONNECTOR 2007	2
43	PMFR364.027	BATTERIE LITHIUM 12V 2.3Ah / BATTERY-LITHIUM 12V 2.3Ah	1

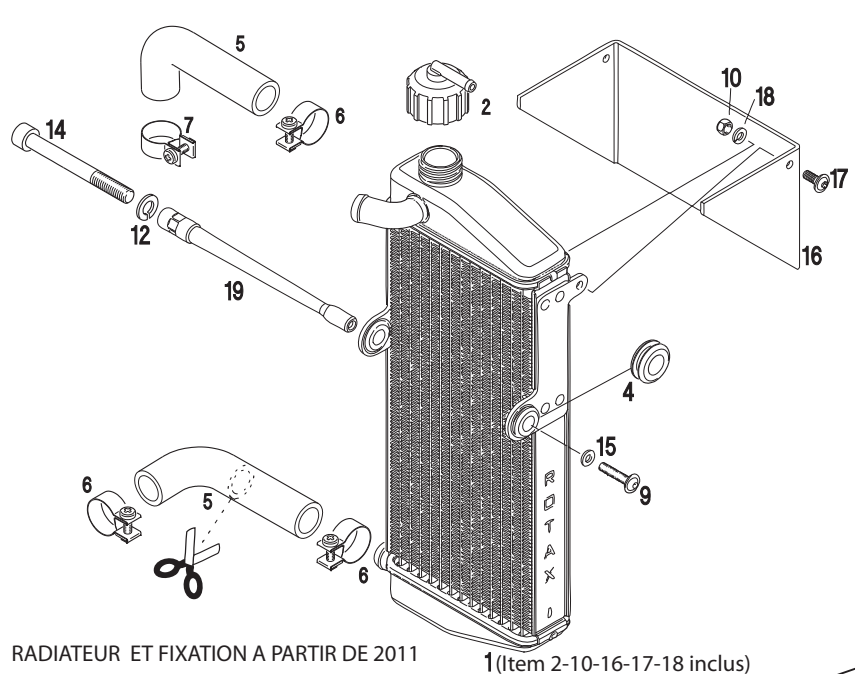
# CARBURATEUR-POMPE A ESSENCE CARBURETTOR-FUEL PUMP



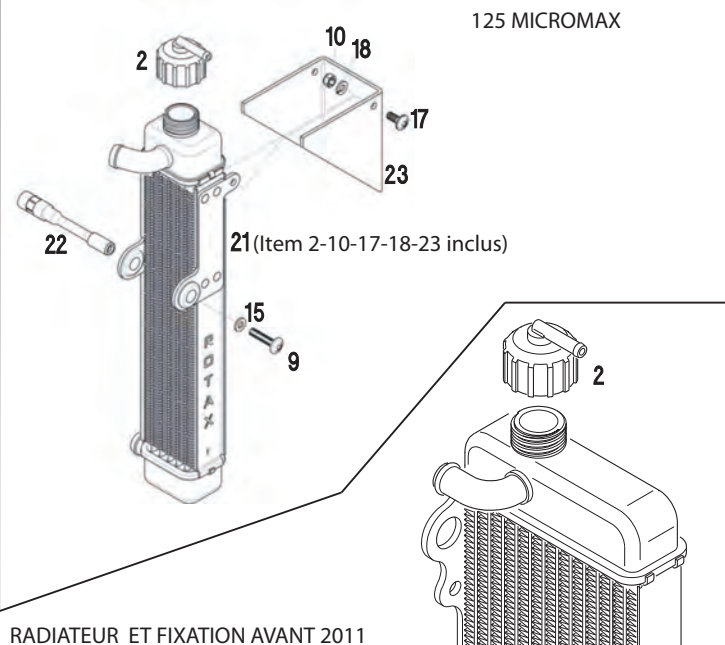
ITEM	REFERENCE	DESIGNATION	QTY
1	PMFR391.001	CARBURATEUR DELL'ORTO VHSB 34 / DELL'ORTO CARBURETTOR VHSB 34	1
2	CA121.010	BOISCEAU / CARBURETTOR SLIDE	1
3	CA135.002	AIGUILLE DELL'ORTO K27 / JET NEEDLE K27	1
3	CA135.004	AIGUILLE DELL'ORTO K98 / JET NEEDLE K98	1
4	CA135.001	CLIPS D'AIGUILLE DELL 'ORTO / NEEDLE CLIP FOR DELL'ORTO	1
5	CA121.011	TIRANT EN LAITON VSHB34 / NIPPLE SCREW	1
6	CA121.012	RESSORT VHSB34 / SPRING VHSB34	1
7	CA122.010	COUVERCLE CARBU VHSB34 / CARBURETTOR COVER VHSB34	1
12	CA122.016	CAOUTCHOUC COUVERCLE VHSB34 / COVER RUBBER VHSB34	1
13	CA143.010	DIFFUSEUR VHSB34 / NEEDLE JET	1
14	CA143.021	RONDELLE ANTI EMULSION / MAIN JET CUP	1
15	CA153.140	GICLEUR PRINCIPAL VHSB34 140 / VHSB34 MAIN JET 140	1
15	CA153.145	GICLEUR PRINCIPAL VHSB34 145 / VHSB34 MAIN JET 145	1
15	CA153.150	GICLEUR PRINCIPAL VHSB34 150 / VHSB34 MAIN JET 150	1
15	CA153.152	GICLEUR PRINCIPAL VHSB34 152 / VHSB34 MAIN JET 152	1
15	CA153.155	GICLEUR PRINCIPAL VHSB34 155 / VHSB34 MAIN JET 155	1
15	CA153.158	GICLEUR PRINCIPAL VHSB34 158 / VHSB34 MAIN JET 158	1
15	CA153.160	GICLEUR PRINCIPAL VHSB34 160 / VHSB34 MAIN JET 160	1
15	CA153.162	GICLEUR PRINCIPAL VHSB34 162 / VHSB34 MAIN JET 162	1
15	CA153.165	GICLEUR PRINCIPAL VHSB34 165 / VHSB34 MAIN JET 165	1
15	CA153.168	GICLEUR PRINCIPAL VHSB34 168 / VHSB34 MAIN JET 168	1
15	CA153.170	GICLEUR PRINCIPAL VHSB34 170 / VHSB34 MAIN JET 170	1
15	CA153.172	GICLEUR PRINCIPAL VHSB34 172 / VHSB34 MAIN JET 172	1
15	CA153.175	GICLEUR PRINCIPAL VHSB34 175 / VHSB34 MAIN JET 175	1
15	CA153.178	GICLEUR PRINCIPAL VHSB34 178 / VHSB34 MAIN JET 178	1
15	CA153.180	GICLEUR PRINCIPAL VHSB34 180 / VHSB34 MAIN JET 180	1
15	CA153.185	GICLEUR PRINCIPAL VHSB34 185 / VHSB34 MAIN JET 185	1
15	CA153.190	GICLEUR PRINCIPAL VHSB34 190 / VHSB34 MAIN JET 190	1
15	CA153.195	GICLEUR PRINCIPAL VHSB34 195 / VHSB34 MAIN JET 195	1
16	CA143.011	DIFFUSEUR EMULSION RALENTI 30 / IDLE JET INSERT 30	1
16	CA143.012	DIFFUSEUR EMULSION RALENTI 60 / IDLE JET INSERT 60	1
17	CA153.030	GICLEUR RALENTI VHSB34 30 / VHSB34 JET 30	1
17	CA153.060	GICLEUR RALENTI VHSB34 60 / VHSB34 JET 60	1
19	CA142.100	KIT POINTEAU 150 VHSB34 / NEEDLE VALVE 150	1

ITEM	REFERENCE	DESIGNATION	QTY
21	CA141.003	FOURCHETTE VHSB34 / FLOAT BRACKET	1
22	CA141.100	AXE DE FOURCHETTE VHSB34 / FLOAT PIN	1
23	CA144.001	FLOTTEUR VHSB34 5.2 G / FLOAT VHSB34 5.2G	2
23	CA144.002	FLOTTEUR VHSB34 3.6 G / FLOAT VHSB34 3.6 G	1
25	CA124.001	CUVE VHSB34 / FLOAT CHAMBER	1
27	CA134.014	BOUCHON CUVE ESSENCE VHSB34 / PLUG SCREW	1
28	CA171.012	RONDELLE DE CUVE VHSB34 / LOCK WASHER	3
29	CA171.011	VIS DE CUVE VHSB34 / SLOTTED HEAD SCREW	3
30	CA151.107	RESSORT VIS D'AIR VHSB34 / COMPRESSION SPRING	1
31	CA151.207	VIS D'AIR VHSB34 / ADJUSTMENT SCREW	1
32	CA134.011	FILTRE A ESSENCE VHSB34 / FUEL FILTER	1
33	CA134.013	JOINT BOUCHON FILTRE ESSENCE / FUEL FILTER CAP GASKET	1
34	CA134.012	BOUCHON FILTRE ESSENCE VHSB34 / FUEL FILTER CAP	1
38	CA121.020	STARTER VHSB34 / STARTER	1
39	CA121.021	VIS DE STARTER VHSB34 / COUNTERSUNK SCREW	1
40	PMFR391.005	BRIDE ADMISSION D19 / INTAKE RESTRICTOR	1
41	PMFR392.006	POCHETTE DE JOINTS VHSB34 / GASKET SET FOR THE CARBURETTOR	1
42	PMFR393.103	KIT FIXATION CABLE GAZ / THROTTLE CABLE FIX KIT	1
43	PMFR393.002	POMPE A ESSENCE / FUEL PUMP	1
44	CA133.004	NECESSAIRE REPAR.POMPE RECTANG / PUMP REPAIR KIT	1
45	PMFR393.101	DURITE ESSENCE / TUBE	1
46	PMFR394.001	CABLE ACCELERATEUR COMPLET / CABLE BOWDEN ASSY	1
47	PMFR393.004	FILTRE A ESSENCE / FUEL FILTER	1
48	CA134.016	BOUCHON CUVE ESSENCE ALUMINIUM / PLUG SCREW	1
49	CA134.015	JOINT BOUCHON CUVE VHSB34 / PLUG SCREW RING	1
50	CA153.130	GICLEUR PRINCIPAL VHSB34 130 / VHSB34 MAIN JET 130	1
51	PMFR391.006	BUTEE DE CARBURATEUR / CARBURATOR STOP SLEEVE	1
52	PMFR391.007	VERROU COUVERCLE CARBU / FIXATION PLATE	1

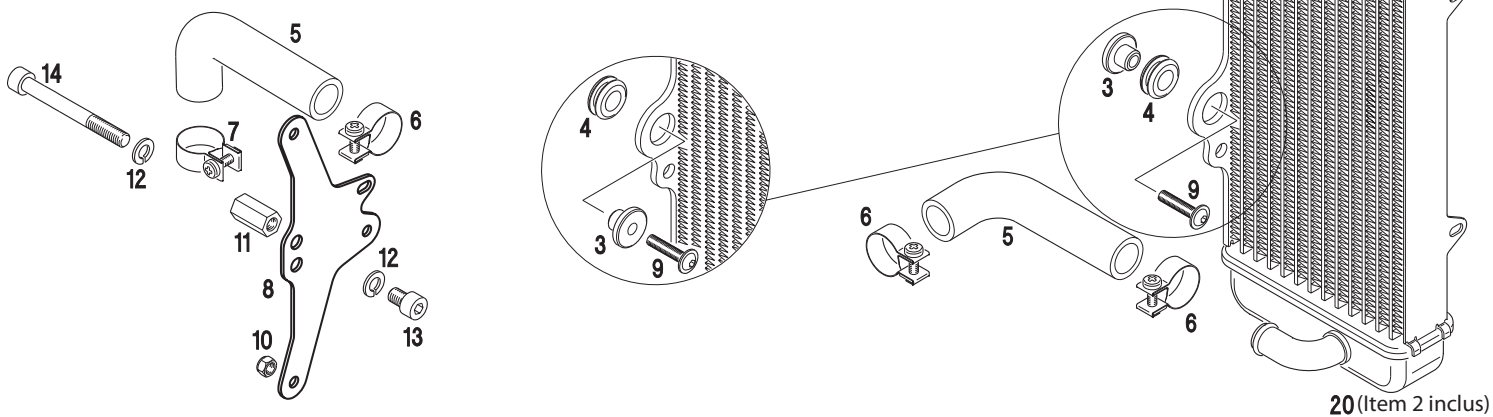
# RADIATEUR (AVEC THERMOSTAT) RADIATOR (WITH THERMOSTAT)



RADIATEUR ET FIXATION A PARTIR DE 2011  
1 (Item 2-10-16-17-18 inclus)



RADIATEUR ET FIXATION AVANT 2011



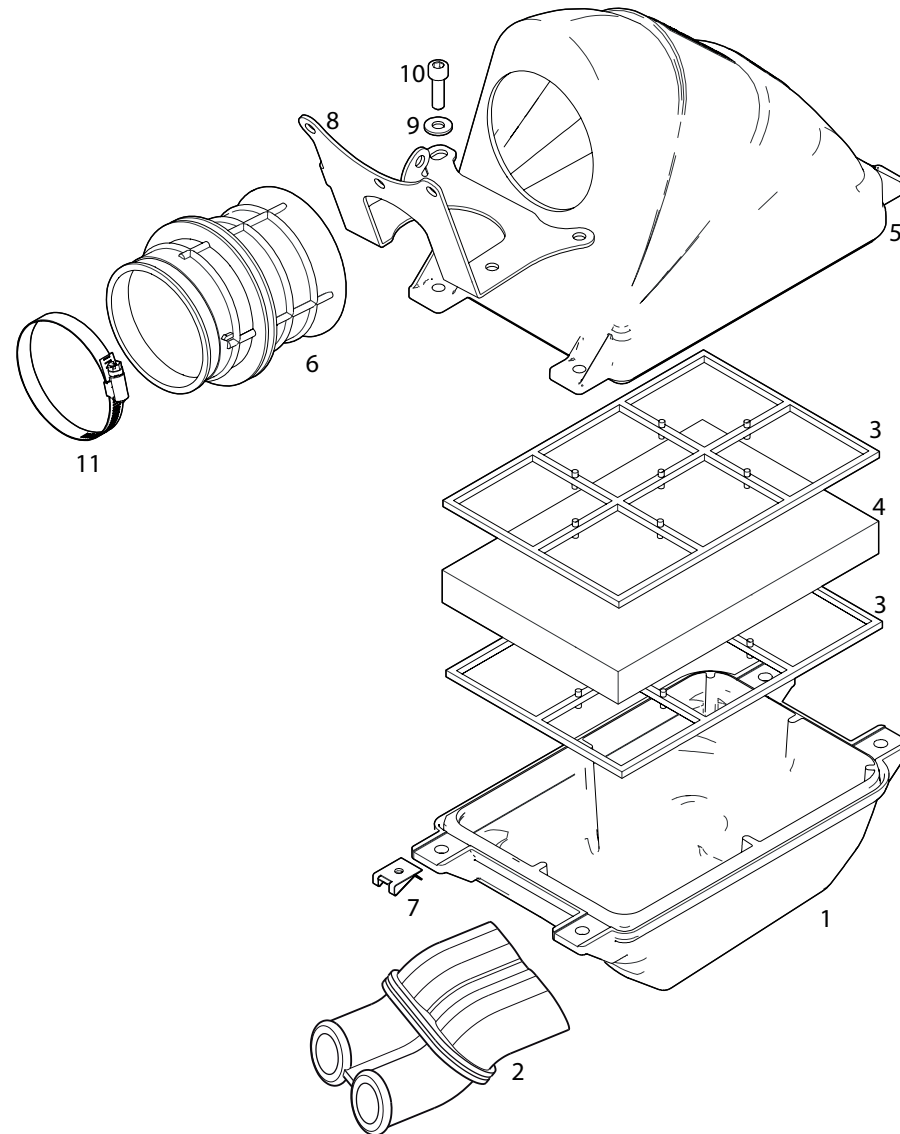
20 (Item 2 inclus)



ITEM	REFERENCE	DESIGNATION	QTY
1	PMFR402.016	RADIATEUR MAX 2011 / RADIATOR MAX 2011	1
2	PMFR402.101	BOUCHON DE RADIATEUR DD2+MAX / RADIATOR CAP	1
3	PMFR402.021	ENTRETOISE / DISTANCE SLEEVE	3
4	PMFR402.022	RONDELLE CAOUTCHOUC / RUBBER GROMMET	3
5	PMFR401.013	DURITE D'EAU / COOLING-WATER HOSE	2
6	PMFR402.002	COLLIER 23/12 / CLAMP 23/12	3
7	PMFR402.102	COLLIER 27/9 DD2+MAX / CLAMP 27/9	1
8	PMFR402.009	SUPPORT RADIATEUR 2009 / 2009 RETAINING PLATE	1
9	B1.C0620R	VIS CHC M6X20 AVEC RONDELLE / ALLEN SCREW M6X20 WITH FLANGE	4
10	B2.N06	ECROU M6 NYLSTOP / ZINC NUT M6 NYLSTOP	5
11	PMFR412.002	ECROU M8 X 24.5 / DISTANCE NUT M8 X 24.5	1
12	PMFR413.003	RONDELLE d8 FREIN / LOCK WASHER A8	2
13	B1.C0612	VIS CHC M6X12 / ALLENS SCREW M6X12	1
14	PMFR411.012	VIS CHC M8X75 DIN 912 / ALLEN SCREW M8X75	1
15	PMFR432.003	RONDELLE DD2 / SPACER	1
16	PMFR402.013	VOLET AJUSTABLE MAX / WINDSHIELD	1
17	B1.B0616RT	VIS BHC M6X16 AVEC RONDELLE / PANHEAD SCREW BHC 6X16 DIN 603	2
18	PMFR413.001	RONDELLE PLATE d6.4 / WASHER 6.4 DIN 134	2
19	PMFR402.014	SUPPORT RADIATEUR / RADIATOR BRACKET	1
20	PMFR402.010	RADIATEUR MAX / RADIATOR MAX	1
21	PMFR402.023	RADIATEUR MICROMAX / RADIATOR MICROMAX	1
22	PMFR402.024	SUPPORT RADIATEUR MICROMAX / RADIATOR BRACKET-MICROMAX	1
23	PMFR402.025	VOLET AJUSTABLE MICROMAX / WINDSHIELD-MICROMAX	1

ITEM	REFERENCE	DESIGNATION	QTY
------	-----------	-------------	-----

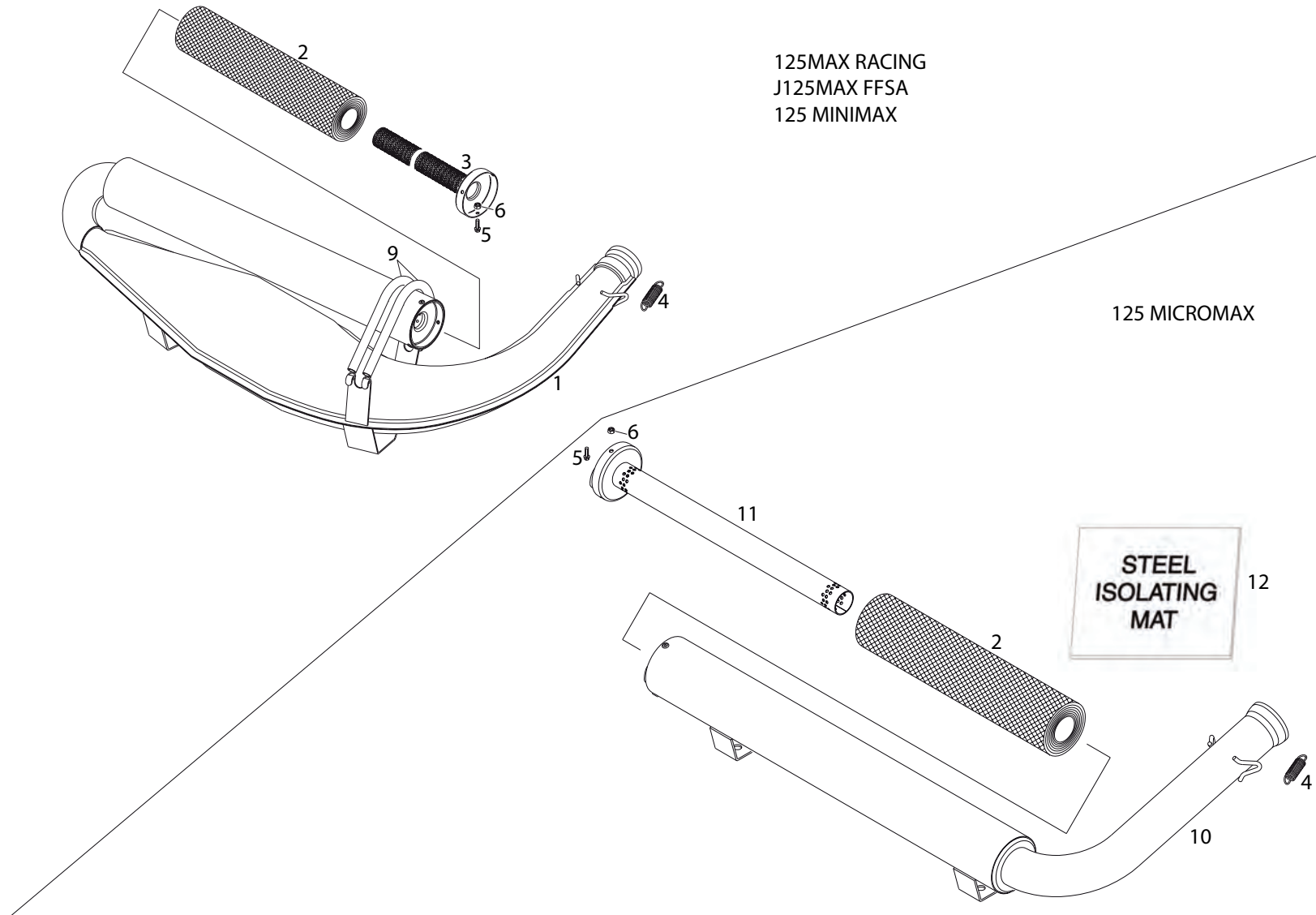
# **BOITE A AIR NEW GENERATION INTAKE SILENCER**



ITEM	REFERENCE	DESIGNATION	QTY
1	PMFR392.011	BOITE A AIR 2007 / INTAKE SILENCER CASE BOTTOM	1
2	PMFR392.004	ENTREE DE BOITE A AIR / INTAKE SILENCER TUBE	1
3	PMFR392.005	GRILLE SUPPORT DE FILTRE A AIR / HOLDER FOR FILTER ELEMENT	2
4	PMFR392.013	ELEMENT FILTRE A AIR 2007 / FILTER ELEMENT	1
5	PMFR392.012	COUVERCLE DE BOITE A AIR 2007 / INTAKE SILENCER CASE TOP	1
6	PMFR392.007	MANCHON DE CARBURATEUR / CARBURETTOR SOCKET	1
7	PMFR392.015	CLIP FIXATION BOITE A AIR 2007 / 2007 INTAKE SILENCER CLIP	4
8	PMFR392.014	SUPPORT DE BOITE A AIR 2007 / SUPPORT BRACKET	1
9	PMFR413.001	RONDELLE PLATE d6.4 / WASHER 6.4 DIN 134	4
10	PMFR411.003	VIS CHC M6X20 / ALLEN SCREW M6X20	4
11	PMFR392.008	COLLIER 50/70 / CLAMP 50/70	1

ITEM	REFERENCE	DESIGNATION	QTY
------	-----------	-------------	-----

# ECHAPPEMENT EXHAUST SYSTEM

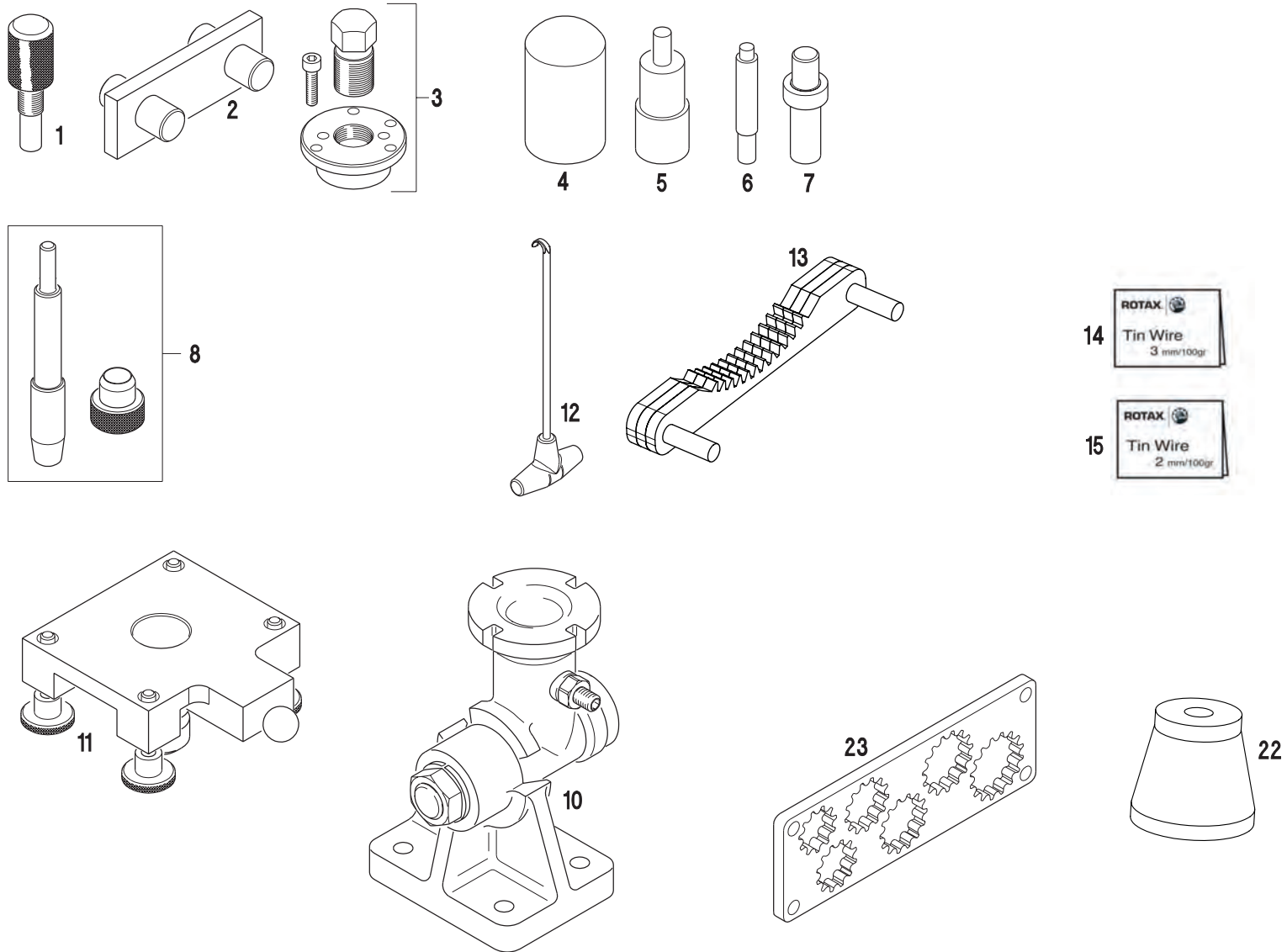




ITEM	REFERENCE	DESIGNATION	QTY
1	PMFR371.004	POT ECHAPPEMENT ROTAX MAX / EXHAUST ROTAX MAX + BRACKET	1
2	PMFR371.030	ISOLATION POUR POT 125MAX / ISOLATING MAT	1
3	PMFR371.025	CHICANE+EMBOUT DE SILENCIEUX / SILENCER COVER	1
4	PMFR373.002	RESSORT D'ECHAPPEMENT 66MM / SPRING 66MM FOR THE EXHAUST	2
5	B1.C0410	VIS CHC M4X10 FT 8.8 / ZINC SCREW CHC 4X10 8.8	3
6	B2.04	ECROU M4 / NUT M4	1
9	PMFR373.006	RESSORT DE SILENCIEUX / SPRING	2
10	PMFR371.007	POT ECHAPPEMENT MICROMAX COMPL / EXHAUST SYSTEM ASSY	2
11	PMFR371.027	CHICANE+EMBOUT DE SILENCIEUX / SILENCER COVER	1
12	PMFR371.031	KIT LAINE ACIER MICROMAX / RETROFIT KIT ISOLATING MAT	1

ITEM	REFERENCE	DESIGNATION	QTY
------	-----------	-------------	-----

# OUTILLAGE REPAIR TOOLS



ITEM	REFERENCE	DESIGNATION	QTY
1	PMFR421.002	BLOQUE VILEBREQUIN / FIXATION TOOL FOR CRANKSHAFT	1
2	PMFR421.001	BLOQUE PIGNON / FIXATION TOOL FOR SPROCKET	1
3	PMFR421.003	EXTRACTEUR D'EMBRAYAGE / PULLER FOR THE STARTER GEAR	1
4	PMFR421.012	OUTIL MONTAGE JTS SPI VILO / INSERTION JIG FOR CRANKSHAFT	1
5	PMFR421.017	OUTIL MONTAGE JT SPI POMPE EAU / INSERTION JIG	1
6	PMFR421.005	OUTIL MONTAGE DIFFUSEUR / INSERTION JIG FOR NEEDLE BUSHI	1
7	PMFR421.014	OUTIL MONTAGE BAGUE PIGNON 11D / INSERTION JIG FOR PLAIN BEARIN	1
8	PMFR421.008	OUTIL MONTAGE CLIPS AXE PISTON / INSERTION TOOL OF PISTON PIN	1
10	PMFR421.010	SUPPORT MOTEUR / TRESTLE SUPPORT ASSY	1
11	PMFR421.011	SUPPORT MOTEUR MAX+DD2 / TRESTLE SUPPORT ASSY	1
12	PMFR421.020	CROCHET POUR RESSORT ECHAPP / SPRING HOOK FOR EXHAUST SPRING	1
13	OU921.025	DEMONTE EMBRAYAGE ROTAX / CLUTCH TAKE OFF	1
14	PMFR421.026	FILS D'ETAIN 3MM / TIN WIRE 3MM	1
15	PMFR421.027	FILS D'ETAIN 2MM / TIN WIRE 2MM	1
22	OU922.005	OUTIL MONTAGE RESSORT VALVE / VALVE SPRING'S TOOL	1
23	PMFR421.016	BLOQUE PIGNON / 2009FIXATION TOOL FOR SPROCKET	1

ITEM	REFERENCE	DESIGNATION	QTY
------	-----------	-------------	-----

**Coupe de Marque ROTAX**

Parc d'Activités des Hauts de Couëron

BP 60 - 44220 COUËRON - FRANCE

Tél. : 02 40 38 26 20

Fax : 02 40 38 26 21

**[www.clubrotaxfrance.com](http://www.clubrotaxfrance.com)**

VOTRE REVENDEUR