

ROTAX[®]
NEW AGE KARTING



CATALOGUE PIECES DE RECHANGE SPARE PARTS CATALOGUE

125MAX DD2

125MAX DD2



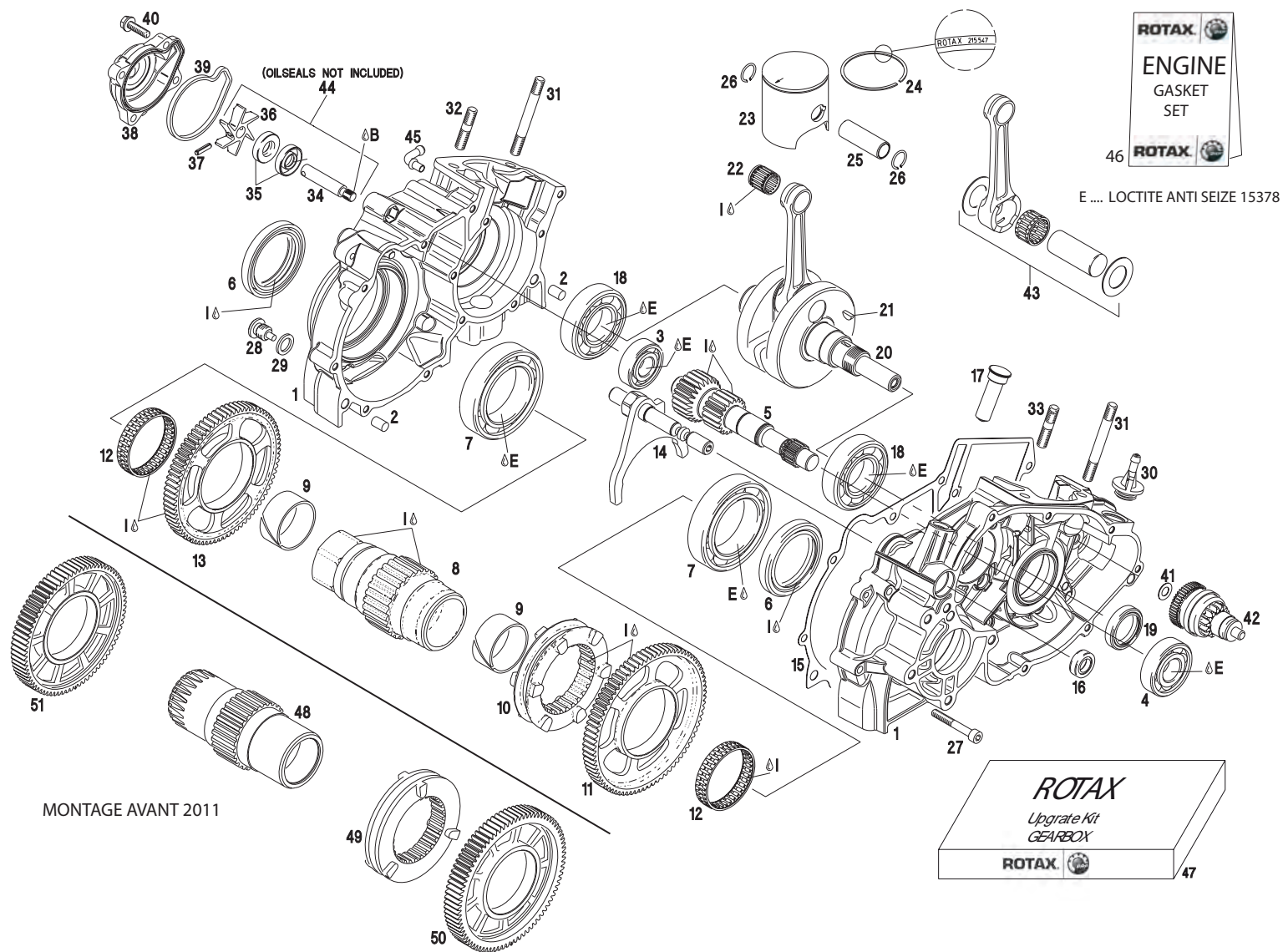
ECLMR005

TABLE DES MATIÈRES TABLE OF CONTENTS

CARTER-VILO-POMPE A EAU-PISTON CRANKCASE-CRANKSHAFT-WATER PUMP-PISTON4	ECHAPPEMENT EXHAUST SYSTEM 22
CYLINDRE CYLINDER 6	OUTILLAGE REPAIR TOOLS 24
EMBRAYAGE CENTRIFUGE CENTRIFUGAL CLUTCH..... 8	
COMMANDE VITESSES/TRANSM STEERING WHEEL HUB-SHIFTING 10	
COMMANDE VITESSES 2010 / TRANSM STREERING WHEEL HUB-SHIFTING 2010 12	
ALLUMAGE-DEMARREUR-BATTERIE IGNITION UNIT-STARTER-BATTERY 14	
CARBURATEUR-POMPE A ESSENCE CARBURETTOR-FUEL PUMP 16	
RADIATEUR RADIATOR..... 18	
BOITE A AIR INTAKE SILENCER 20	

NOTA : Les pièces représentées sur l'éclaté sans repère ne sont pas disponibles à la vente

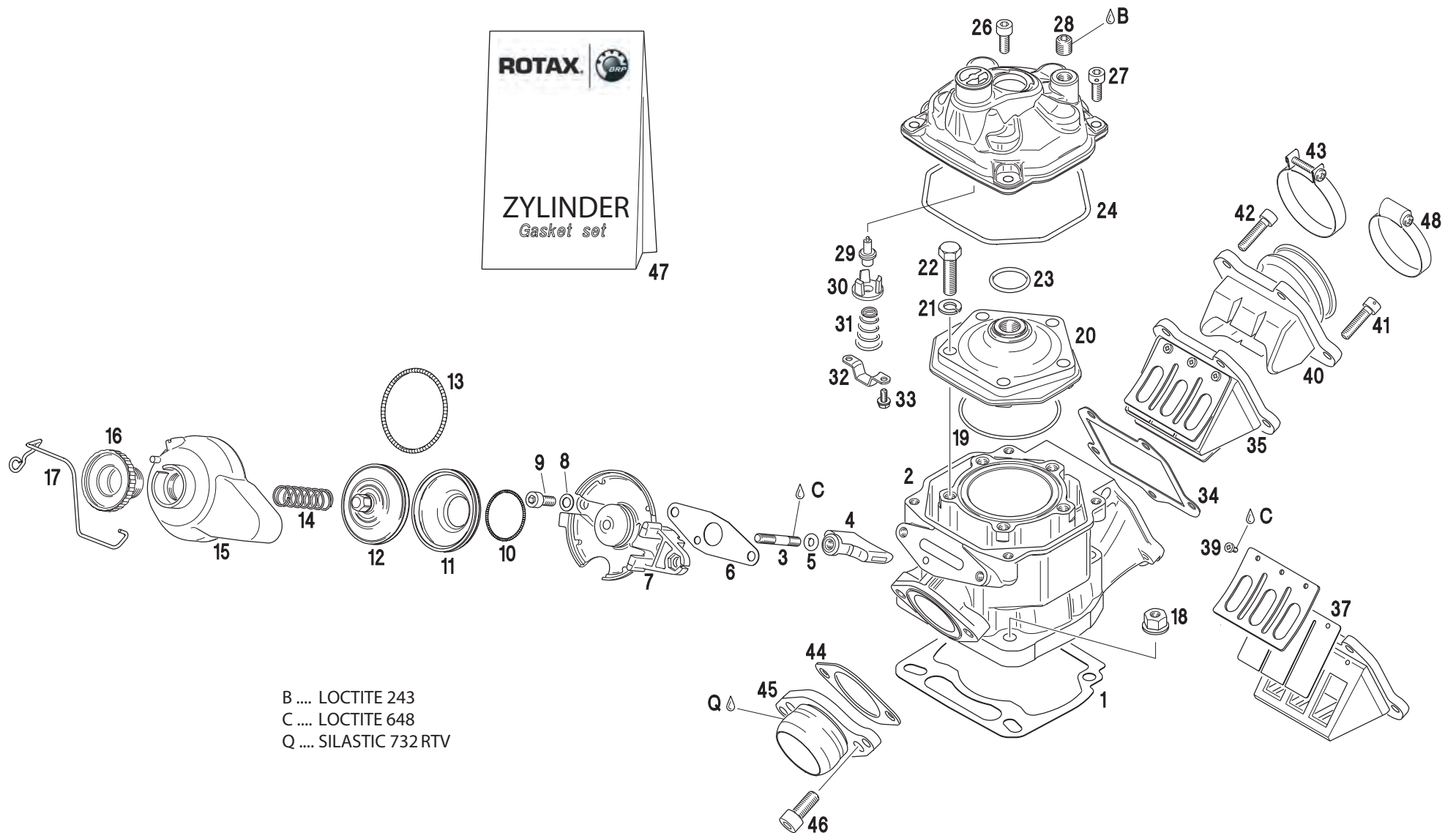
CARTER-VILO-POMPE A EAU-PISTON CRANKCASE-CRANKSHAFT-WATER PUMP-PISTON



ITEM	REFERENCE	DESIGNATION	QTY
E	LU861.004	LOCTITE ANTI SEIZE 8151 50ML / LOCTITE ANTI SEIZE 8151 50ML	1
1	PMFR311.104	CARTER COMPLET DD2 / DD2 CRANKCASE ASSY	1
2	PMFR312.001	PION DE CARTER 8 X12 / PIN 8X12 DIN 5402	2
3	PMFR315.101	ROULEMENT BOUT D'ARBRE DD2 / BALL BEARING 6203 C3	1
4	PMFR315.102	ROULEMENT D'ARBRE DD2 / BALL BEARING 6204	1
5	PMFR381.102	ARBRE PRIMAIRE 24/19 Z DD2 / PRIMARY SHAFT 24/19 Z	1
6	PMFR313.102	JOINT SPI ARBRE SECONDAIRE DD2 / OIL SEAL 50X68X8	2
7	PMFR315.103	ROULEMENT ARBRE SECONDAIRE DD2 / DD2 BALL BEARING	2
8	PMFR381.104	ARBRE SECONDAIRE CREUXDD2 2011 / HOLLOW SHAFT	1
9	PMFR316.001	BAGUE DE ROULT 40X44X20 DD2 / DD2 PLAIN BEARING 40X44X20	2
10	PMFR382.027	BALADEUR DD2 2011 / SHIFTING SLEEVE	1
11	PMFR382.023	PIGNON DE PREMIERE 81ZDD2 2011 / IDLE GEAR 81Z	1
12	PMFR316.011	CAGE A AIGUILLE 52X57X12 DD2 / NEEDLE BEARING 52X57X12	2
13	PMFR382.024	PIGNON DE SECONDE 77Z DD2 2011 / IDLE GEAR 77Z	1
14	PMFR382.111	FOURCHE BOITE DE VITESSE DD2 / DD2 SHIFT FORK ASSY	1
15	PMFR313.101	JOINT CENTRAL DD2 / DD2 GASKET	1
16	PMFR382.112	JOINT SPI AXE DE FOURCHE DD2 / OIL SEAL 12X22X7	1
17	PMFR382.113	AXE DE VERROUILLAGE BV DD2 / SHIFT RAIL DETENT PIN	1
18	PMFR315.003	ROULEMENT VILO / BALL BEARING	2
19	PMFR313.103	JOINT SPI VILO DD2 / OIL SEAL 30X42X7/7.5	1
20	PMFR331.004	VILEBREQUIN COMPLET DD2 / DD2 CRANKSHAFT ASSY	1
21	PMRO367.003	CLAVETTE D'ALLUMAGE / WOODRUFF KEY 3X5	1
22	PMFR326.102	CAGE A AIGUILLE 15X19X20 / NEEDLE CAGE 15X19X20	1
23	PMFR324.397	PISTON COMPLET 53.97 / PISTON ASSY 53.97	1
23	PMFR324.398	PISTON COMPLET 53.98 / PISTON ASSY 53.98	1
23	PMFR324.399	PISTON COMPLET 53.99 / PISTON ASSY 53.99	1
23	PMFR324.400	PISTON COMPLET 54.00 / PISTON ASSY 54.00	1
24	PMFR325.001	SEGMENT / RECTANGULAR RING IS2-52/49.4X1	1
25	PMFR326.001	AXE DE PISTON / PISTON PIN 15X10/12.5X45.6	1
26	PMFR327.001	CLIPS DE PISTON / CIRCLIP 15	2
27	B1.C0645P	VIS CHC M6X45 FP 8.8 / ZINC SCREW CHC 6X45 8.8	12
28	PMFR329.101	BOUCHON AIMANTE DD2 / MAGNETIC DRAIN PLUG	1
29	PMFR329.102	RONDELLE 12X18 DD2 / GASKET A 12X18	1
30	PMFR311.004	RENIFLARD M18X1.5 / AIR VENT SCREW M18X1.5	1

ITEM	REFERENCE	DESIGNATION	QTY
31	PMFR329.003	GOUJON CYLINDRE M8X57X20 / STUD M8X57/20	2
32	PMFR329.002	GOUJON CYLINDRE M8X28X20 / STUD M8X28/20	1
33	PMFR329.103	GOUJON CYLINDRE M8X28/20 DD2 / STUD M8X28/20	1
34	PMFR401.101	ARBRE DE POMPE A EAU DD2 / DD2 PUMP SHAFT	1
35	PMFR401.003	JOINT SPI DE POMPE A EAU / OIL SEAL 10X26X7	2
37	PMFR401.009	PION D4 L16 / SLOTTED SPRING PIN D4 L16	1
38	PMFR401.120	COUVERCLE POMPE A EAU DD2 / WATER PUMP HOUSING	1
39	PMFR401.121	JOINT COUVERCLE POMPE A EAU / RUBBER RING	1
40	B1.C0620	VIS CHC M6X20 FT 8.8 / ZINC SCREW CHC 6X20 8.8	4
41	PMFR314.004	RONDELLE DE CALAGE 8.5X15X0.50 / THRUST WASHER 8.5X15X0.5	1
42	PMFR363.005	RENOVI DE DEMARREUR / STARTER REDUCTION GEAR ASSY	1
43	PMFR332.001	KIT BIELLE COMPLET / CRANKSHAFT REPAIR SET	1
44	PMFR401.111	KIT DE POMPE A EAU DD2 / DD2 WATERPUMP SHAFT ASSY	1
45	PMFR393.003	PRISE DE DEPRESSION / IMPULSE FITTING	1
46	PMFR328.000	ENSEMBLE JOINTS MOTEUR DD2 / GASKET SET ASSY FOR ENGINE DD2	1
47	PMFR382.025	KIT MISE A NIVEAU BOITE VITESS / RETROFIT KIT PADDLE GEAR	1
48	PMFR381.103	ARBRE SECONDAIRE CREUX DD2 / HOLLOW SHAFT	1
49	PMFR382.028	BALADEUR DD2 / SHIFTING SLEEVE	1
50	PMFR382.021	PIGNON DE PREMIERE 81Z DD2 / IDLE GEAR 81Z	1
51	PMFR382.022	PIGNON DE SECONDE 77Z DD2 / IDLE GEAR 77Z	1

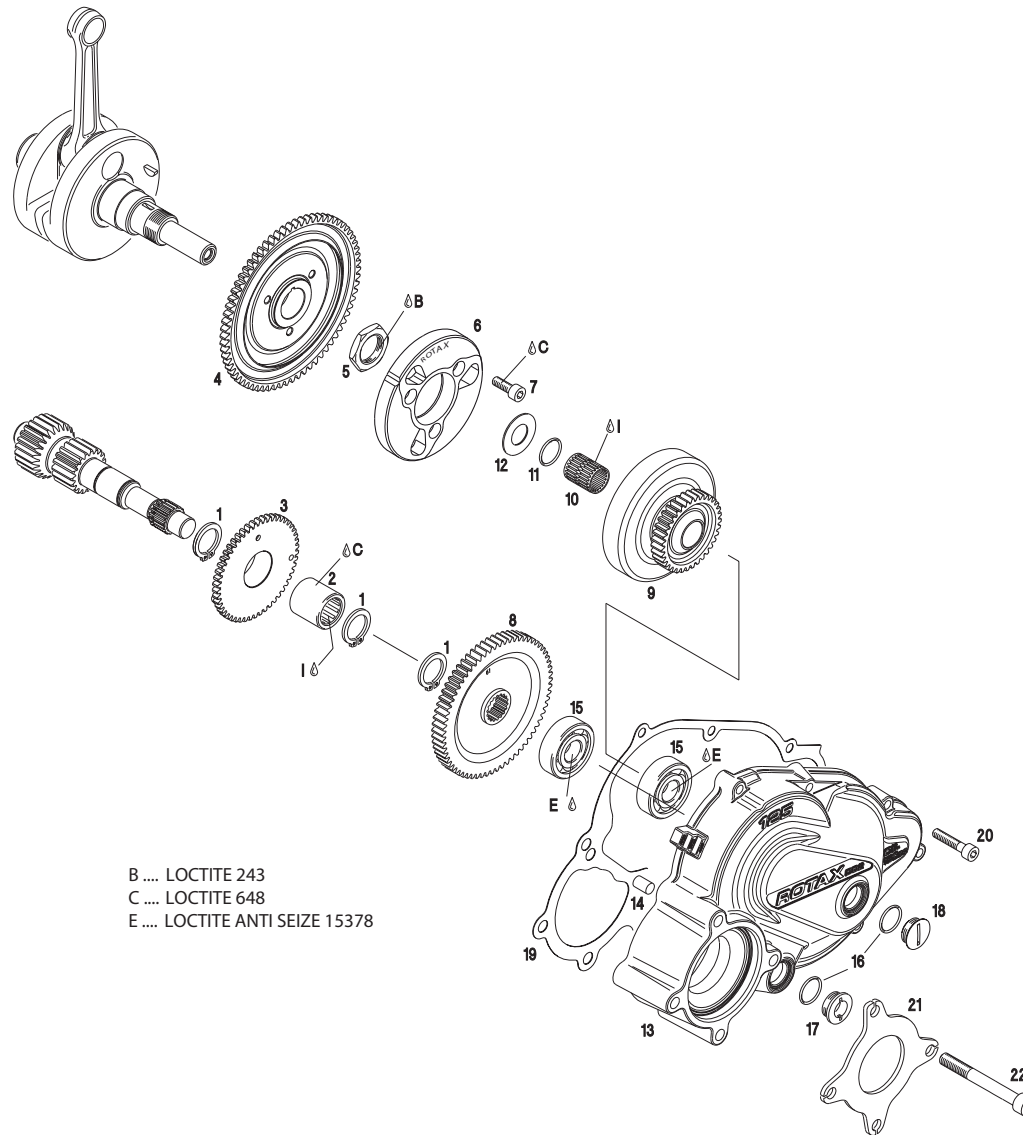
CYLINDRE CYLINDER



ITEM	REFERENCE	DESIGNATION	QTY
C	LU861.003	LOCTITE 648 VERT 5GR / LOCTITE 648 GREEN 5 GR	1
Q	LU851.003	SILASTIC 732 RTV 100GR / SILASTIC 732RTV 100 GR	1
B	LU861.001	LOCTITE «FREINETANCHE» 243 / LOCTITE THREAD LOCKING FLUID	1
1	PMFR328.002	JOINT D'EMBASE EP 0.3 / GASKET 0.3 MM	1
1	PMFR328.011	JOINT D'EMBASE EP 0.4 / GASKET 0.4 MM	1
1	PMFR328.003	JOINT D'EMBASE EP 0.5 / GASKET 0.5 MM	1
1	PMFR328.004	JOINT D'EMBASE EP 0.8 / GASKET 0.8 MM	1
2	PMFR321.101	CYLINDRE NIKASIL DD2 'A' / DD2 NYKASIL CYLINDER 'A'	1
2	PMFR321.102	CYLINDRE NIKASIL DD2 'B' / DD2 NYKASIL CYLINDER 'B'	1
2	PMFR321.103	CYLINDRE NIKASIL DD2 'AB' / DD2 NYKASIL CYLINDER 'AB'	1
3	PMFR411.000	GOUJON M6X45.5 / STUD M6X45.5	1
4	PMFR374.004	GUILLOTINE / EXHAUST VALVE	1
5	PMFR374.005	JOINT TORIQUE 6X3 / O-RING 6X3	1
6	PMFR344.001	JOINT DE VALVE / GASKET	1
7	PMFR374.003	CORPS DE GUILLOTINE / VALVE ROD HOUSING	1
8	PMFR383.009	RONDELLE d6 FREIN / SPRING WASHER B6	2
9	B1.C0616	VIS CHC M6X16 FT 8.8 / ZINC SCREW CHC 6X16 8.8	2
10	PMFR374.013	RESSORT SERRAGE CORPS VALVE / HOSE SPRING 70-1.7-0.3	1
11	PMFR374.006	MEMBRANE / BELLOWS	1
12	PMFR374.007	PISTON DE VALVE D'ECHAPPEMENT / EXHAUST VALVE PISTON	1
13	PMFR374.008	RESSORT SERRAGE PISTON VALVE / HOSE SPRING 134-2.3-0.4-0.0	1
14	PMFR374.109	RESSORT DE COMPRESSION DD2 / COMPRESSION SPRING 48.5/0.8MM	1
15	PMFR374.002	CAPOT DE VALVE D'ECHAPPEMENT / VALVE COVER	1
16	PMFR374.011	VIS DE REGLAGE MODELE 2002 / ADJUSTMENT SCREW	1
17	PMFR374.001	AGRAFE / SPRING CLIP	1
18	PMFR329.104	ECROU CYLINDRE / COLLAR NUT M8	4
19	PMFR328.007	JOINT TORIQUE 64X2 / O-RING 64X2	1
20	PMFR322.004	CULASSE / COMBUSTION CHAMBER INSERT	1
21	PMFR413.003	RONDELLE d8 FREIN / LOCK WASHER A8	5
22	B1.T0830N	VIS TH M8X30 FT 10.9 / ZINC SCREW TH 8X30 10.9	5
23	PMFR328.006	JOINT TORIQUE 23.3X2.4 / O-RING 23.3X2.4	1
24	PMFR328.005	JOINT TORIQUE 105X2.5 / O-RING 105X2.5	1
26	B1.C0616	VIS CHC M6X16 FT 8.8 / ZINC SCREW CHC 6X16 8.8	3
27	B1.C0625	VIS CHC M6X25 FT 8.8 / ZINC SCREW CHC 6X25 8.8	1

ITEM	REFERENCE	DESIGNATION	QTY
28	PMFR322.001	BOUCHON 1.8 TORQUE 10 NM / PLUG SCREW 1/8-27 TORQUE 10 NM	1
29	PMFR322.121	THERMOSTAT DD2+MAX / THERMOSTAT	1
30	PMFR322.122	SUPPORT THERMOSTAT DD2+MAX / THERMOSTAT HOLDER	1
31	PMFR322.123	RESSORT THERMOSTAT DD2+MAX / THERMOSTAT SPRING	1
32	PMFR322.124	ATTACHE DE THERMOSTAT DD2+MAX / THERMOSTAT RETAINING BRACKET	1
33	B1.T0408	VIS TH M4X8 / SCREW M4X8	2
34	PMFR354.001	JOINT DE BOITE A CLAPETS / GASKET	1
35	PMFR351.001	BOITE A CLAPETS COMPLETE / REED VALVE ASSY	1
37	PMFR352.001	CLAPET / REED PETAL	2
39	PMFR411.009	VIS DE LAMELLES M3X6 / SLOTTED HEAD SCREW M3X6	6
40	PMFR351.102	COUVERCLE BOITE A CLAPETS DD2 / INTAKE SOCKET	1
41	PMFR411.013	VIS M6X25 PERCEE POUR PLOMBAGE / ALLEN SCREW M6X25 WITH HOLE	1
42	B1.C0625	VIS CHC M6X25 FT 8.8 / ZINC SCREW CHC 6X25 8.8	4
43	PMFR391.002	COLLIER DE CARBURATEUR / HOSE CLAMP 51	1
44	PMFR373.001	JOINT D'ECHAPPEMENT / GASKET	1
45	PMFR372.001	ROTULE D'ECHAPPEMENT MAX/DD2 / EXHAUST SOCKET ASSY	1
46	B1.C0820	VIS CHC M8X20 FT 8.8 / ZINC SCREW CHC 8X20 8.8	2
47	PMFR328.008	ENSEMBLE JOINTS HAUT MOT / GASKET SET CYL	1
48	PMFR392.008	COLLIER 50/70 / CLAMP 50/70	1

EMBAYAGE CENTRIFUGE CENTRIFUGAL CLUTCH

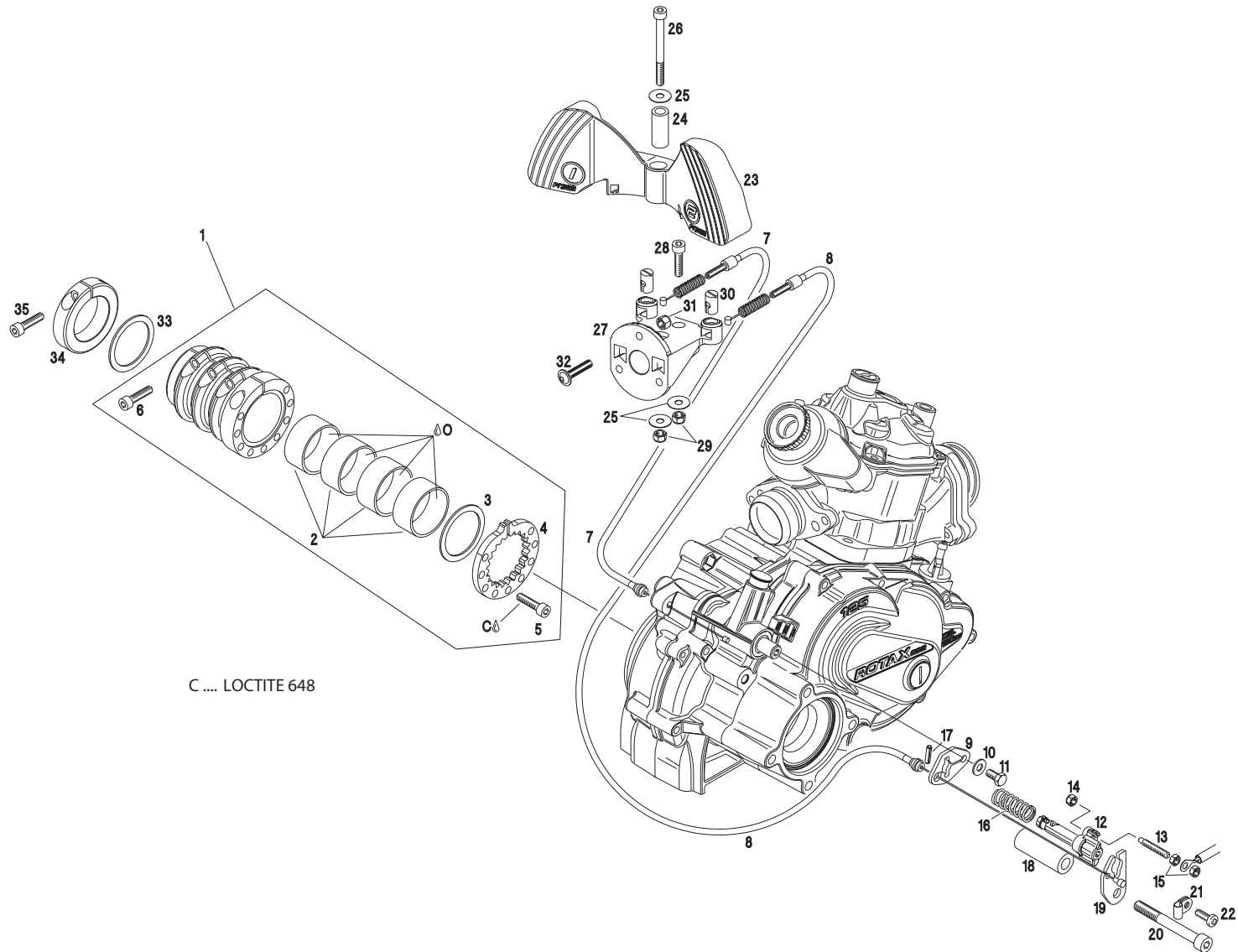


B LOCTITE 243
 C LOCTITE 648
 E LOCTITE ANTI SEIZE 15378

ITEM	REFERENCE	DESIGNATION	QTY
0	PMFR381.060	KIT EMBRAYAGE DD2 / KIT CLUTCH 125 MAX DD2	1
E	LU861.004	LOCTITE ANTI SEIZE 8151 50ML / LOCTITE ANTI SEIZE 8151 50ML	1
C	LU861.003	LOCTITE 648 VERT 5GR / LOCTITE 648 GREEN 5 GR	1
B	LU861.001	LOCTITE «FREINETANCHE» 243 / LOCTITE THREAD LOCKING FLUID	1
1	PMFR382.162	CLIPS MAX / DD2 / RETAINING RING 20X1.2	3
2-3	PMFR382.150	BALANCIER EQUILIBRAGE DD2 2009 / 2009 DD2 BALANCING GEAR	1
4	PMFR381.100	COURONNE EMBRAYAGE DD2 2009 / 2009 STARTER GEAR 70T. ASSY	1
5	PMFR382.042	ECROU PLATEAU EMBRAYAGE DD2 / HEX NUT M22X1.5X6	1
6	PMFR382.034	MOYEU D'EMBAYAGE DD2 / DD2 FLY WEIGHT	1
7	PMFR411.016	VIS CHC M6X16 / ALLEN SCREW M6X16	3
8	PMFR381.119	PIGNON ARBRE SECOND. 59Z DD2 / SECONDARY GEAR 59T	1
8	PMFR381.120	PIGNON ARBRE SECOND. 60Z DD2 / SECONDARY GEAR 60T	1
8	PMFR381.121	PIGNON ARBRE SECOND. 61Z DD2 / SECONDARY GEAR 61T	1
8	PMFR381.122	PIGNON ARBRE SECOND. 62Z DD2 / SECONDARY GEAR 62T	1
8	PMFR381.123	PIGNON ARBRE SECOND. 63Z DD2 / SECONDARY GEAR 63T	1
8	PMFR381.124	PIGNON ARBRE SECOND. 64Z DD2 / SECONDARY GEAR 64T	1
8	PMFR381.125	PIGNON ARBRE SECOND. 65Z DD2 / SECONDARY GEAR 65T	1
9	PMFR382.142	CLOCHE+PIGNON 32D DD2 2009 / CLUTCH DRUM WITH DRIVE GEAR 32	1
9	PMFR382.143	CLOCHE+PIGNON 33D DD2 2009 / CLUTCH DRUM WITH DRIVE GEAR 33	1
9	PMFR382.144	CLOCHE+PIGNON 34D DD2 2009 / CLUTCH DRUM WITH DRIVE GEAR 34	1
9	PMFR382.145	CLOCHE+PIGNON 35D DD2 2009 / CLUTCH DRUM WITH DRIVE GEAR 35	1
9	PMFR382.146	CLOCHE+PIGNON 36D DD2 2009 / CLUTCH DRUM WITH DRIVE GEAR 36	1
9	PMFR382.147	CLOCHE+PIGNON 37D DD2 2009 / CLUTCH DRUM WITH DRIVE GEAR 37	1
9	PMFR382.148	CLOCHE+PIGNON 38D DD2 2009 / CLUTCH DRUM WITH DRIVE GEAR 38	1
10	PMFR382.043	CAGE A AIGUILLES 15X19X24 DD2 / NEEDLE BUSHING 15X19X24	1
11	PMFR382.114	JOINT EMBRAYAGE MAX+DD2 / O-RING	1
12	PMFR314.003	RONDELLE CALAGE d15.2 D25 EP1 / THRUST WASHER 15.2/25/1	1
13	PMFR311.106	CARTER D'ENTRAINEMENT DD2 / DD2 CLUTCH COVER	1
14	PMFR415.002	PION 5 X 10 / PIN 5 X10	2
15	PMFR315.001	ROULEMENT BOUT D'ARBRE / BALL BEARING 6203	2
16	PMFR311.006	JOINT DD2 / O RING	2
17	PMFR313.112	VOYANT NIVEAU HUILE DD2 / OIL LEVEL SCREW	1
18	PMFR313.111	BOUCHON VIS DD2 / PLUG SCREW	1
19	PMFR311.103	JOINT CARTER ENTRAINEMENT DD2 / DD2 GASKET	1

ITEM	REFERENCE	DESIGNATION	QTY
20	B1.C0630	VIS CHC M6X30 FT 8.8 / ZINC SCREW CHC 6X30 8.8	6
21	PMFR432.043	PLAQUE DD2 / SUPPORT PLATE	1
22	B1.C0870P	VIS CHC M8X70 FP 8.8 / ZINC SCREW CHC 8X70 8.8	4

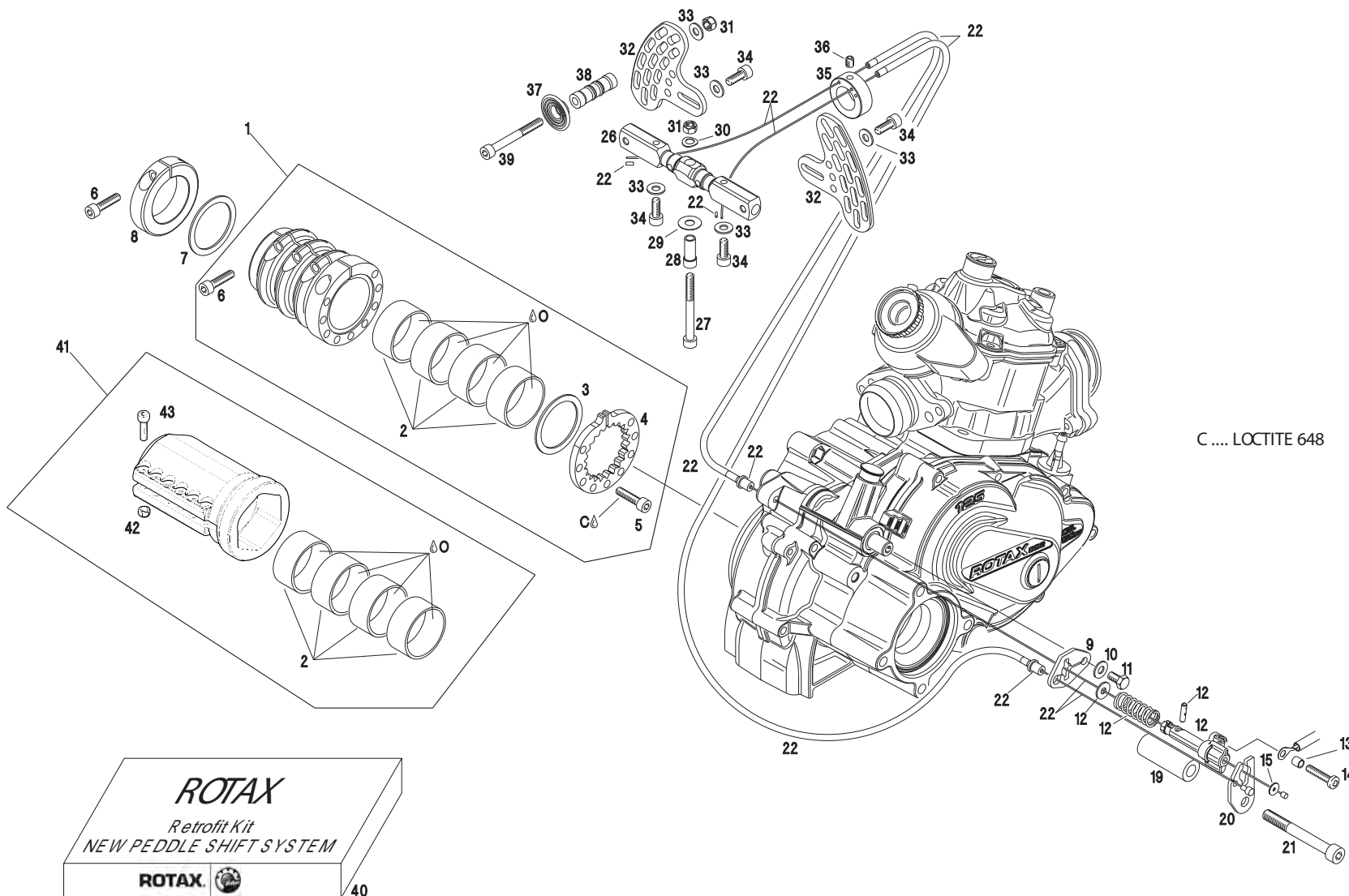
COMMANDE VITESSES/TRANS STEERING WHEEL HUB-SHIFTING



ITEM	REFERENCE	DESIGNATION	QTY
C	LU861.003	LOCTITE 648 VERT 5GR / LOCTITE 648 GREEN 5 GR	1
1	PMFR431.005	MANCHON DE SERRAGE COMPLET / COUPLING FLANGE ASSY	1
2	PMFR316.001	BAGUE DE ROULT 40X44X20 DD2 / DD2 PLAIN BEARING 40X44X20	1
3	PMFR413.004	RONDELLE d41.5 D50 EP1.5 / THRUST WASHER 41.5/50/1.5	1
4	PMFR431.007	ENTRAINEUR / CLUTCH HUB	6
5	B1.C0625N	VIS CHC M6X25 FT 12.9 / ZINC SCREW CHC 6X25 12.9	9
6	B1.C0625	VIS CHC M6X25 FT 8.8 / ZINC SCREW CHC 6X25 8.8	4
7	PMFR432.032	TRINGLERIE 2EME VITESSE DD2 / CABLE BOWDEN ASSY 2ND GEAR	3
8	PMFR432.031	TRINGLERIE 1ERE VITESSE DD2 / CABLE BOWDEN ASSY 1ST GEAR	3
9	PMFR432.041	PLAQUE BUTEE DD2 / RETAINING PLATE	1
10	PMFR383.009	RONDELLE d6 FREIN / SPRING WASHER B6	1
11	B1.T0612	VIS TH M6X12 / SCREW TH 6X12	1
12	PMFR432.035	CONTACTEUR DE VITESSE DD2 / SHIFT CONTACT	1
13	B1.S0530	VIS SANS TETE M5X30 / ADJUSTMENT SCREW M5X30	1
14	B2.N05	ECROU M5 NYLSTOP / ZINC NUT M5 NYLSTOP	1
15	B2.05	ECROU M5 / ZINC NUT M5	1
16	PMFR432.036	RESSORT DE COMPRESSION DD2 / COMPRESSION SPRING	1
17	PMFR401.009	PION D4 L16 / SLOTTED SPRING PIN D4 L16	1
18	PMFR431.011	ENTRETOISE 10/18/49.5 / DISTANCE TUBE 10/18/49.5	3
19	PMFR431.010	PLAQUE DE GUIDAGE / SHIFT CONTACT GUIDANCE	1
20	B1.C0870P	VIS CHC M8X70 FP 8.8 / ZINC SCREW CHC 8X70 8.8	4
22	B1.C0516	VIS CHC 5.5X16 / PLASTITE SCREW 5.5X16	1
23	PMFR432.001	LEVIER DE VITESSE DD2 / DD2 SHIFT PADDLE	2
24	PMFR432.002	ENTRETOISE DD2 / SPACER	1
25	PMFR432.003	RONDELLE DD2 / SPACER	3
26	B1.C0665P	VIS CHC M6X65 FP /	1
27	PMFR433.001	MOYEU DE VOLANT DD2 / STEERING WHEEL SUPPORT	6
28	B1.C0630	VIS CHC M6X30 FT 8.8 / ZINC SCREW CHC 6X30 8.8	1
29	B2.N06	ECROU M6 NYLSTOP / ZINC NUT M6 NYLSTOP	2
31	B2.N06	ECROU M6 NYLSTOP / ZINC NUT M6 NYLSTOP	3
32	B1.B0620	VIS BHC M6X20 / ZINC SCREW BHC 6X20	3
33	PMFR431.008	RONDELLE 40/50/1.5 / THRUST WASHER 40/50/1.5	1
34	PMFR431.009	BAGUE DE SERRAGE / CLAMPING RING	1
35	B1.C0625	VIS CHC M6X25 FT 8.8 / ZINC SCREW CHC 6X25 8.8	1

ITEM	REFERENCE	DESIGNATION	QTY
------	-----------	-------------	-----

COMMANDE VITESSES 2010 / TRANSM STREERING WHEEL HUB-SHIFTING 2010



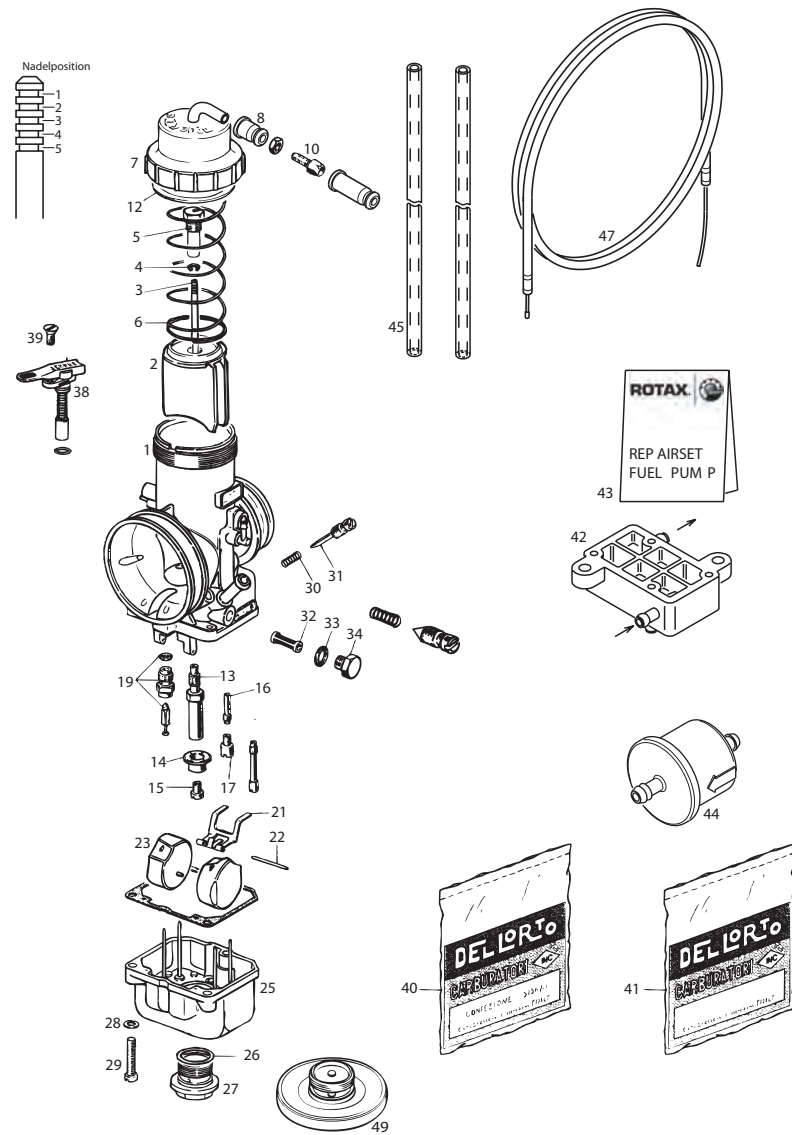
ITEM	REFERENCE	DESIGNATION	QTY
C	LU861.003	LOCTITE 648 VERT 5GR / LOCTITE 648 GREEN 5 GR	1
1	PMFR431.005	MANCHON DE SERRAGE COMPLET / COUPLING FLANGE ASSY	1
2	PMFR316.001	BAGUE DE ROULT 40X44X20 DD2 / DD2 PLAIN BEARING 40X44X20	1
3	PMFR413.004	RONDELLE d41.5 D50 EP1.5 / THRUST WASHER 41.5/50/1.5	1
4	PMFR431.007	ENTRAINEUR / CLUTCH HUB	6
5	B1.C0625N	VIS CHC M6X25 FT 12.9 / ZINC SCREW CHC 6X25 12.9	9
6	B1.C0625	VIS CHC M6X25 FT 8.8 / ZINC SCREW CHC 6X25 8.8	4
7	PMFR431.008	RONDELLE 40/50/1.5 / THRUST WASHER 40/50/1.5	1
8	PMFR431.009	BAGUE DE SERRAGE / CLAMPING RING	1
9	PMFR432.041	PLAQUE BUTEE DD2 / RETAINING PLATE	1
10	PMFR383.009	RONDELLE d6 FREIN / SPRING WASHER B6	1
11	B1.T0612	VIS TH M6X12 / SCREW TH 6X12	1
12	PMFR432.013	CONTACTEUR DE VITESSE COMPLET / SHIFT CONTACT ASSY	1
13	PMFR432.014	DURIT PLASTIQUE 8MM / FUEL TUBE 8 MM	1
14	PMFR411.017	VIS PLASTITE 6X25 / PLASTITE SCREW 6X25	1
15	PMFR413.005	RONDELLE 3.8X14X2 / WASHER 3.8X14X2	1
19	PMFR431.011	ENTRETOISE 10/18/49.5 / DISTANCE TUBE 10/18/49.5	3
20	PMFR431.010	PLAQUE DE GUIDAGE / SHIFT CONTACT GUIDANCE	1
21	B1.C0870P	VIS CHC M8X70 FP 8.8 / ZINC SCREW CHC 8X70 8.8	4
22	PMFR432.015	KIT CABLE ET GAINÉ BOWDEN / BOWDEN CABLE ASSY	1
26	PMFR432.016	LEVIER DE CONTROLE VITESSE / CONTROL WHIP	1
27	B1.C0660	VIS CHC M6X60 FP 8.8 / ZINC SCREW CHC 6X60 8.8	1
28	PMFR432.017	ENTRETOISE / SPACER	1
29	PMFR314.004	RONDELLE DE CALAGE 8.5X15X0.50 / THRUST WASHER 8.5X15X0.5	1
30	PMFR383.009	RONDELLE d6 FREIN / SPRING WASHER B6	1
31	B2.N06	ECROU M6 NYLSTOP / ZINC NUT M6 NYLSTOP	2
32	PMFR432.018	PALETTE PASSAGE VITESSE / CONTROL LEVER	2
33	B3.P0614	RONDELLE PLATE d6 D14 EP1.2 / ZINC FLAT WASHER d6 D14 EP1.2	5
34	B1.C0616	VIS CHC M6X16 FT 8.8 / ZINC SCREW CHC 6X16 8.8	4
35	PMFR432.019	BAGUE DE PASSAGE CABLE / ROPE ABUTMENT	1
36	PMFR411.018	VIS SANS TETE M6X8 / SET SCREW M6X8	1
37	PMFR432.011	RONDELLE / WASHER	1
38	PMFR432.012	ENTRETOISE / DISTANCE SLEEVE	1
39	B1.C0660	VIS CHC M6X60 FP 8.8 / ZINC SCREW CHC 6X60 8.8	1

ITEM	REFERENCE	DESIGNATION	QTY
40	PMFR432.010	KIT COMMANDE VITESSE DD2 2010 / RETROFIT KIT DD2 2010	1
41	PMFR431.012	MANCHON DE SERRAGE COMPLET 11 / COUPLING FLANGE ASSY	1
42	B2.N05	ECROU M5 NYLSTOP / ZINC NUT M5 NYLSTOP	1
43	B1.C0525	VIS CHC M5X25 / ZINC SCREW CHC 5X25	1

ITEM	REFERENCE	DESIGNATION	QTY
1	PMFR362.002	CAPTEUR D'ALLUMAGE / PICK UP	1
2	PMFR432.045	PROTECTION CAPTEUR ALL. DD2 / PROTECTION SHIELD	1
3	B1.C0620R	VIS CHC M6X20 AVEC RONDELLE / ALLEN SCREW M6X20 WITH FLANGE	2
4-5	PMFR363.003	DEMARREUR ELECTRIQUE COMPLET / ELECTRIC STARTER ASSY	1
6	PMFR363.006	KIT DE REPARATION DEMARREUR / REPAIRING SET ELECTRIC STARTER	1
7	B1.C0630	VIS CHC M6X30 FT 8.8 / ZINC SCREW CHC 6X30 8.8	2
8	PMFR365.013	TRESSE DE MASSE/FAISCEAU / MASS CABLE	1
9	PMFR362.102	SILENTBLOC BOBINE DD2 / DD2 RUBBER BUFFER	1
10	PMFR362.103	BOBINE ALLUMAGE DD2 / DD2 IGNITION COIL	1
11	B3.P0614	RONDELLE PLATE d6 D14 EP1.2 / ZINC FLAT WASHER d6 D14 EP1.2	5
12	B2.N06	ECROU M6 NYLSTOP / ZINC NUT M6 NYLSTOP	5
13	PMFR362.004	CABLE DE BOBINE D'ALLUMAGE / INGNITION CABLE 360MM	1
14	PMFR366.001	CAPUCHON DE BOUGIE / SPARK PLUG CONNECTOR	1
15	PM366.013	BOUGIE DENSO IW29 / DENSO SPARK PLUG IW29	1
15	PM366.010	BOUGIE DENSO IW27 / DENSO SPARK PLUG IW27	1
15	PM366.011	BOUGIE DENSO IW31 / DENSO SPARK PLUG IW31	1
15	PM366.012	BOUGIE DENSO IW34 / DENSO SPARK PLUG IW34	1
16	PMFR363.004	DISJONCTEUR/CONTACT / AUTOMATIC FUSE	1
17	PMFR363.001	BOUTON POUSSOIR DE DEMARREUR / START BUTTON	1
18	PMFR364.023	SUPPORT BATTERIE 2008 / 2008 BATTERY CLAMP	1
19	PMFR364.014	KIT FIX SUPPORT BATTERIE D32 / PIPE CHAMP D32	1
21	PMFR364.020	COLLIER FIX SUPPORT BATTERIE / PIPE CLAMP	2
23	PMFR364.025	PLAQUE CAOUTCHOUC / RUBBER PAD	1
23	PMFR364.026	PLAQUE CAOUTCHOUC 2008 / 2008 RUBBER PAD	1
24	PMFR364.021	BATTERIE ROTAX- 12V RX7-12B / ROTAX BATTERY- 12V RX7-12B	1
27	PMFR365.003	FAISCEAU ELECTRIQUE 2006 / CABLE HARNESS	1
28	PMFR365.000	COLLIER PLASTIQUE 203X4.6 MM / CLAMP 203X4.6 MM	6
29	PMFR364.015	COUVERCLE DE BATTERIE / BLACK BATTERY COVER	1
30	B1.C0630	VIS CHC M6X30 FT 8.8 / ZINC SCREW CHC 6X30 8.8	2
31	PMFR413.001	RONDELLE PLATE d6.4 / WASHER 6.4 DIN 134	2
32	B2.06	ECROU M6 / ZINC NUT M6	4
33	B2.N06	ECROU M6 NYLSTOP / ZINC NUT M6 NYLSTOP	2
34	PMFR364.002	CHARGEUR DE BATTERIE 12V / BATTERY CHARGER	1
35	PMDD364.001	ADAPTATEUR ELECTRIQUE ZONE EUR / ELECTRICAL ADAPTOR EURO	1

ITEM	REFERENCE	DESIGNATION	QTY
40	PMFR362.104	JOINT CAPTEUR ALLUMAGE DD2 / GASKET	1
41	PMFR364.027	BATTERIE LITHIUM 12V 2.3Ah / BATTERY-LITHIUM 12V 2.3Ah	1

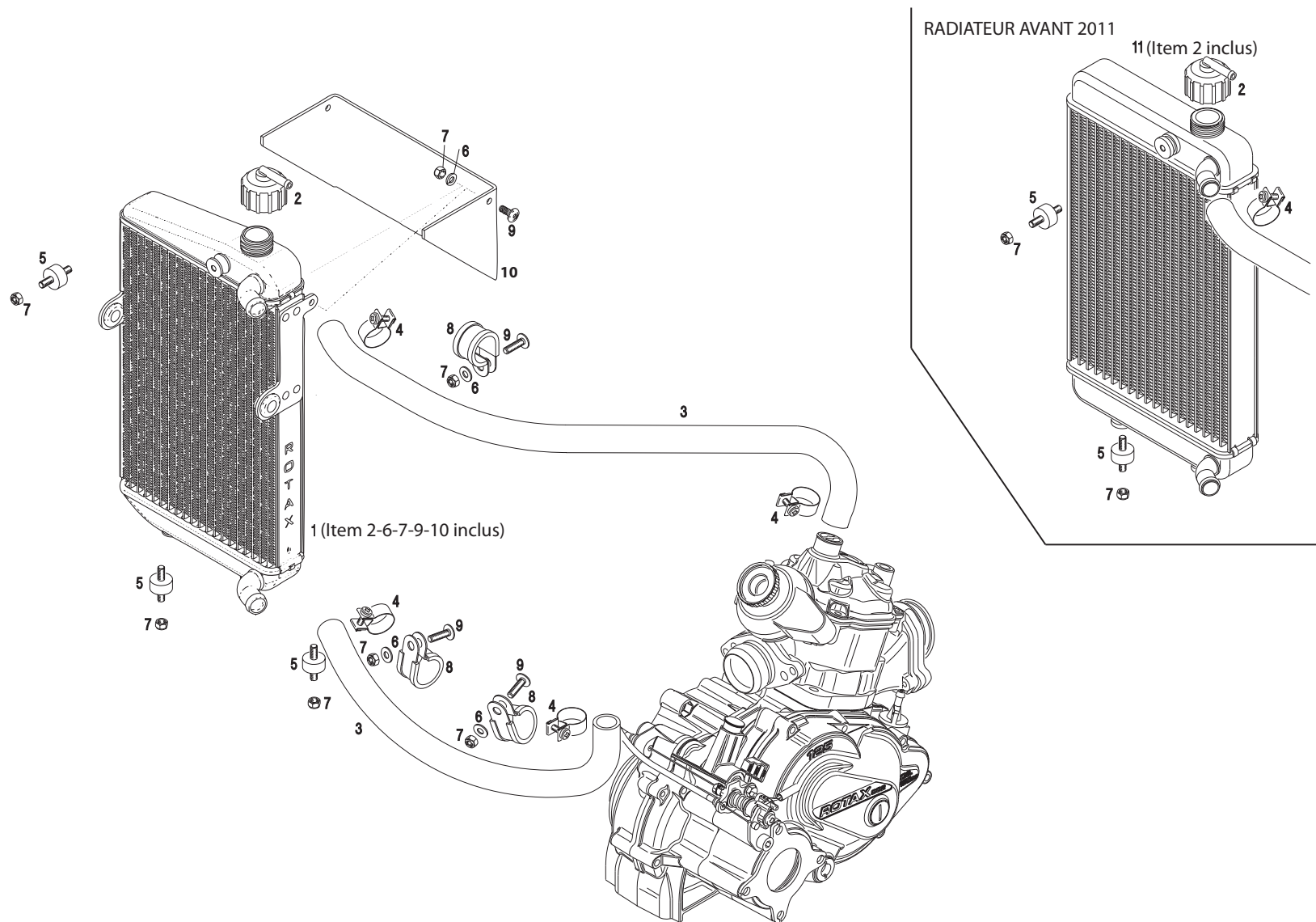
CARBURATEUR-POMPE A ESSENCE CARBURETTOR-FUEL PUMP



ITEM	REFERENCE	DESIGNATION	QTY
1	PMFR391.001	CARBURATEUR DELL'ORTO VHSB 34 / DELL'ORTO CARBURETTOR VHSB 34	1
2	CA121.010	BOISCEAU / CARBURETTOR SLIDE	1
3	CA135.002	AIGUILLE DELL'ORTO K27 / JET NEEDLE K27	1
3	CA135.004	AIGUILLE DELL'ORTO K98 / JET NEEDLE K98	1
4	CA135.001	CLIPS D'AIGUILLE DELL 'ORTO / NEEDLE CLIP FOR DELL'ORTO	1
5	CA121.011	TIRANT EN LAITON VSHB34 / NIPPLE SCREW	1
6	CA121.012	RESSORT VHSB34 / SPRING VHSB34	1
7	CA122.010	COUVERCLE CARBU VHSB34 / CARBURETTOR COVER VHSB34	1
8	CA122.017	KIT TUBE COUDE VHSB34 / PIPE KIT VHSB34	1
10	CA122.018	VIS TENDEUR VHSB34 / ADJUSTMENT SCREW VHSB34	1
12	CA122.016	CAOUTCHOUC COUVERCLE VHSB34 / COVER RUBBER VHSB34	1
13	CA143.010	DIFFUSEUR VHSB34 / NEEDLE JET	1
14	CA143.021	RONDELLE ANTI EMULSION / MAIN JET CUP	1
15	CA153.160	GICLEUR PRINCIPAL VHSB34 160 / VHSB34 MAIN JET 160	1
15	CA153.162	GICLEUR PRINCIPAL VHSB34 162 / VHSB34 MAIN JET 162	1
15	CA153.165	GICLEUR PRINCIPAL VHSB34 165 / VHSB34 MAIN JET 165	1
15	CA153.168	GICLEUR PRINCIPAL VHSB34 168 / VHSB34 MAIN JET 168	1
15	CA153.170	GICLEUR PRINCIPAL VHSB34 170 / VHSB34 MAIN JET 170	1
15	CA153.172	GICLEUR PRINCIPAL VHSB34 172 / VHSB34 MAIN JET 172	1
15	CA153.175	GICLEUR PRINCIPAL VHSB34 175 / VHSB34 MAIN JET 175	1
15	CA153.178	GICLEUR PRINCIPAL VHSB34 178 / VHSB34 MAIN JET 178	1
15	CA153.180	GICLEUR PRINCIPAL VHSB34 180 / VHSB34 MAIN JET 180	1
15	CA153.185	GICLEUR PRINCIPAL VHSB34 185 / VHSB34 MAIN JET 185	1
15	CA153.190	GICLEUR PRINCIPAL VHSB34 190 / VHSB34 MAIN JET 190	1
15	CA153.195	GICLEUR PRINCIPAL VHSB34 195 / VHSB34 MAIN JET 195	1
15	CA153.200	GICLEUR PRINCIPAL VHSB34 200 / VHSB34 MAIN JET 200	1
15	CA153.201	KIT GICLEUR PRINCIPAL (E10) / MAIN JET KIT (E10)	1
16	CA143.012	DIFFUSEUR EMULSION RALENTI 60 / IDLE JET INSERT 60	1
16	CA143.011	DIFFUSEUR EMULSION RALENTI 30 / IDLE JET INSERT 30	1
17	CA153.060	GICLEUR RALENTI VHSB34 60 / VHSB34 JET 60	1
17	CA153.030	GICLEUR RALENTI VHSB34 30 / VHSB34 JET 30	1
19	CA142.100	KIT POINTEAU 150 VHSB34 / NEEDLE VALVE 150	1
19	CA142.103	KIT POINTEAU 200 VHSB34 / NEEDLE VALVE 200	1
21	CA141.003	FOURCHETTE VHSB34 / FLOAT BRACKET	1

ITEM	REFERENCE	DESIGNATION	QTY
22	CA141.100	AXE DE FOURCHETTE VHSB34 / FLOAT PIN	1
23	CA144.001	FLOTTEUR VHSB34 5.2 G / FLOAT VHSB34 5.2G	2
23	CA144.002	FLOTTEUR VHSB34 3.6 G / FLOAT VHSB34 3.6 G	1
25	CA124.001	CUVE VHSB34 / FLOAT CHAMBER	1
26	CA134.015	JOINT BOUCHON CUVE VHSB34 / PLUG SCREW RING	1
27	CA134.014	BOUCHON CUVE ESSENCE VHSB34 / PLUG SCREW	1
28	CA171.012	RONDELLE DE CUVE VHSB34 / LOCK WASHER	3
29	CA171.011	VIS DE CUVE VHSB34 / SLOTTED HEAD SCREW	3
30	CA151.107	RESSORT VIS D'AIR VHSB34 / COMPRESSION SPRING	1
31	CA151.207	VIS D'AIR VHSB34 / ADJUSTMENT SCREW	1
32	CA134.011	FILTRE A ESSENCE VHSB34 / FUEL FILTER	1
33	CA134.013	JOINT BOUCHON FILTRE ESSENCE / FUEL FILTER CAP GASKET	1
34	CA134.012	BOUCHON FILTRE ESSENCE VHSB34 / FUEL FILTER CAP	1
38	CA121.020	STARTER VHSB34 / STARTER	1
39	CA121.021	VIS DE STARTER VHSB34 / COUNTERSUNK SCREW	1
40	PMFR392.006	POCHETTE DE JOINTS VHSB34 / GASKET SET FOR THE CARBURETTOR	1
41	PMFR393.103	KIT FIXATION CABLE GAZ / THROTTLE CABLE FIX KIT	1
42	PMFR393.002	POMPE A ESSENCE / FUEL PUMP	1
43	CA133.004	NECESSAIRE REPAR.POMPE RECTANG / PUMP REPAIR KIT	1
44	PMFR393.004	FILTRE A ESSENCE / FUEL FILTER	1
45	PMFR393.101	DURITE ESSENCE / TUBE	1
46	PMFR393.101	DURITE ESSENCE / TUBE	1
47	PMFR394.001	CABLE ACCELERATEUR COMPLET / CABLE BOWDEN ASSY	1
48	PMFR394.001	CABLE ACCELERATEUR COMPLET / CABLE BOWDEN ASSY	1
49	CA134.016	BOUCHON CUVE ESSENCE ALUMINIUM / PLUG SCREW	1

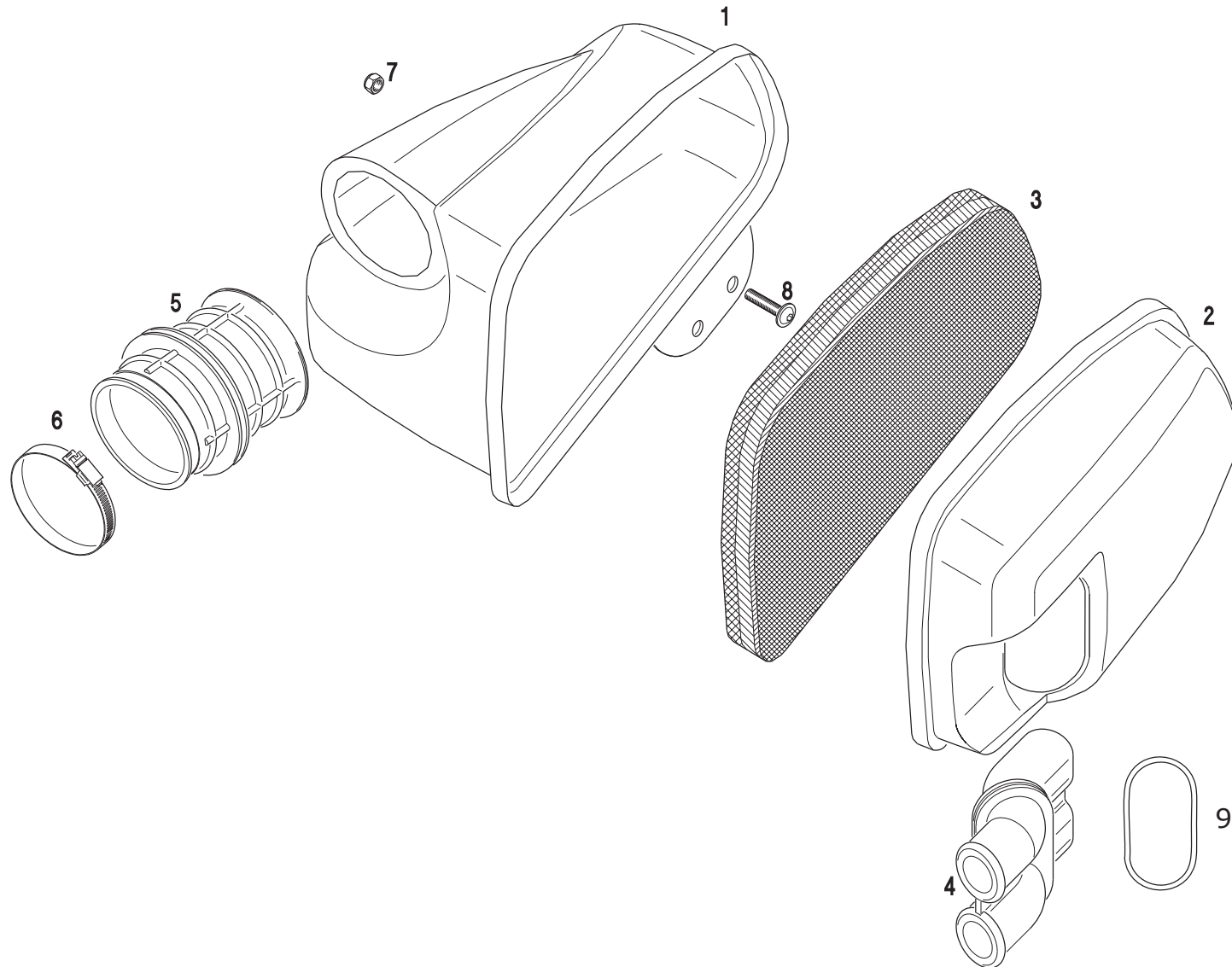
RADIATEUR RADIATOR



ITEM	REFERENCE	DESIGNATION	QTY
1	PMFR402.106	RADIATEUR DD2 2011 / RADIATOR DD2 2011	1
2	PMFR402.101	BOUCHON DE RADIATEUR DD2+MAX / RADIATOR CAP	1
3	PMFR401.102	DURITE D'EAU DD2 / WATER HOSE 16/650 MM	1
4	PMFR402.102	COLLIER 27/9 DD2+MAX / CLAMP 27/9	4
5	PMFR402.105	SILENTBLOC RADIATEUR DD2 / RUBBER BUFFER 15X15XM6	3
6	B3.P0614	RONDELLE PLATE d6 D14 EP1.2 / ZINC FLAT WASHER d6 D14 EP1.2	8
7	B2.N06	ECROU M6 NYLSTOP / ZINC NUT M6 NYLSTOP	8
8	PMFR402.103	COLLIER 26/M6 DD2 / CLAMP 26/M6	3
9	B1.B0616	VIS BHC M6X16 FT 10.9 / ZINC SCREW BHC 6X16 10.9	5
10	PMFR402.015	VOLET AJUSTABLE DD2 / WINDSHIELD	1
11	PMFR402.104	RADIATEUR DD2 / RADIATOR DD2	1

ITEM	REFERENCE	DESIGNATION	QTY
------	-----------	-------------	-----

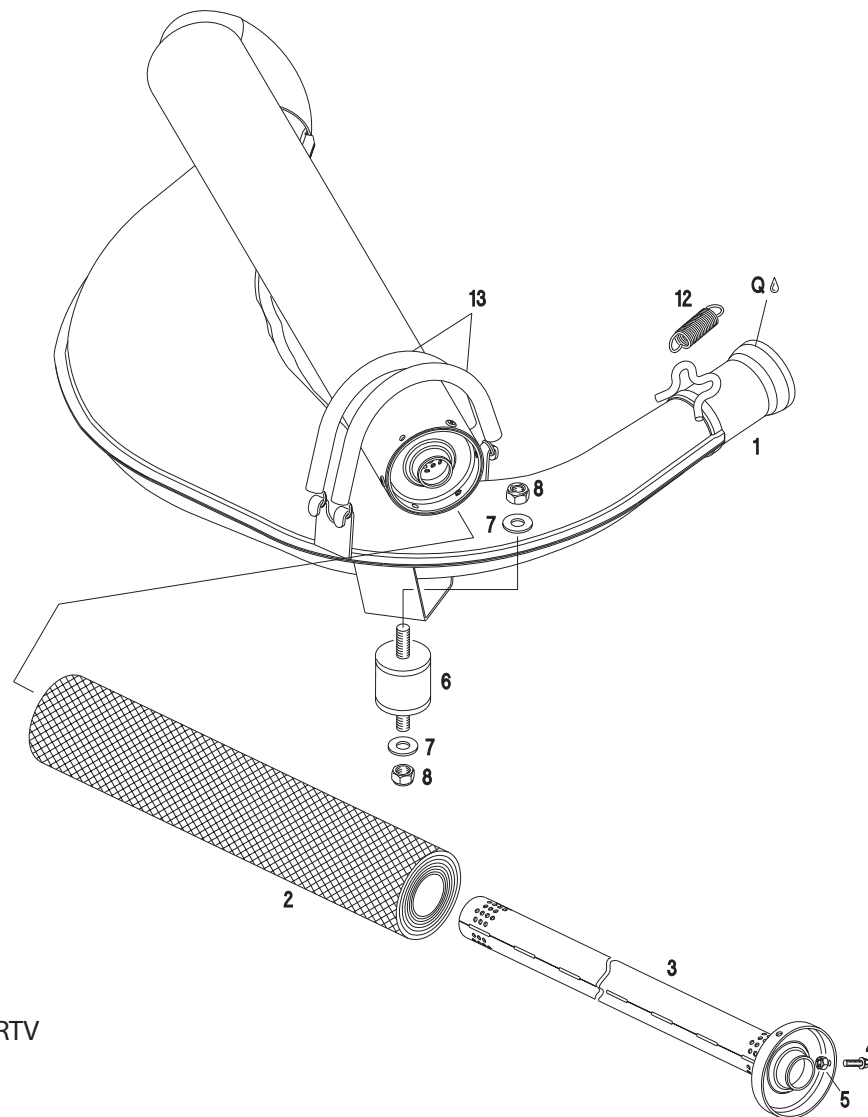
BOITE A AIR INTAKE SILENCER



ITEM	REFERENCE	DESIGNATION	QTY
1	PMFR392.101	BOITE A AIR DD2 / INTAKE SILENCER CASE	1
2	PMFR392.102	COUVERCLE DE BOITE A AIR DD2 / INTAKE SILENCER COVER	1
3	PMFR392.103	ELEMENT FILTRE A AIR DD2 / FILTER ELEMENT	1
4	PMFR392.004	ENTREE DE BOITE A AIR / INTAKE SILENCER TUBE	1
5	PMFR392.007	MANCHON DE CARBURATEUR / CARBURETTOR SOCKET	1
5	PMFR392.007	MANCHON DE CARBURATEUR / CARBURETTOR SOCKET	1
6	PMFR392.008	COLLIER 50/70 / CLAMP 50/70	1
7	B2.N06	ECROU M6 NYLSTOP / ZINC NUT M6 NYLSTOP	1
8	B1.B0616	VIS BHC M6X16 FT 10.9 / ZINC SCREW BHC 6X16 10.9	1
9	PMFR392.104	JOINT TORIQUE 59.52X2.62 NBR70 / O RING 59.52X2.62 NBR70	1

ITEM	REFERENCE	DESIGNATION	QTY
------	-----------	-------------	-----

ECHAPPEMENT EXHAUST SYSTEM

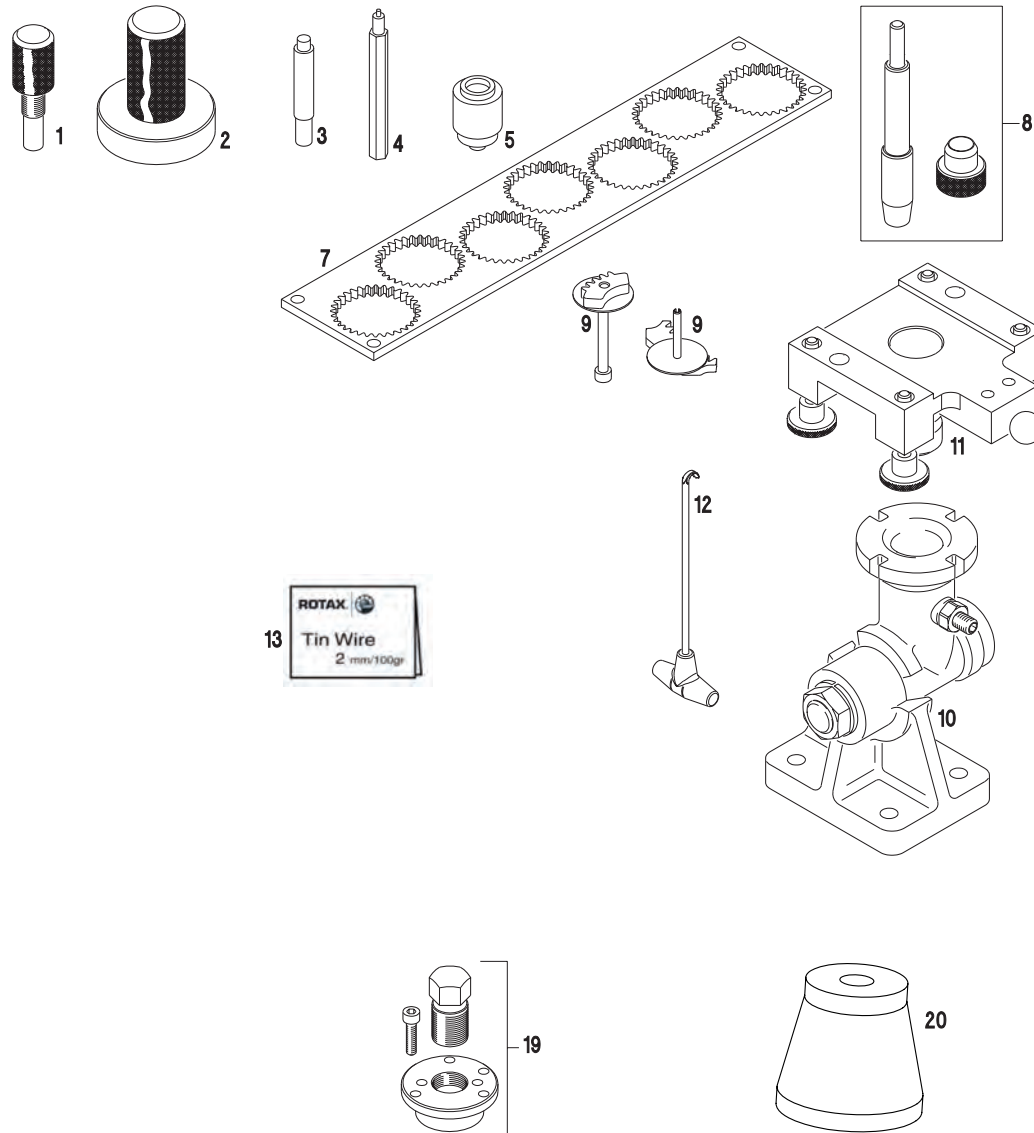


Q SILASTIC 732 RTV

ITEM	REFERENCE	DESIGNATION	QTY
Q	LU851.003	SILASTIC 732 RTV 100GR / SILASTIC 732RTV 100 GR	1
1	PMFR371.005	POT ECHAPPEMENT DD2 / DD2 EXHAUST MUFFLER	1
2	PMFR371.030	ISOLATION POUR POT 125MAX / ISOLATING MAT	1
3	PMFR371.026	CHICANE+EMBOUT DE SILEN. DD2 / SILENCER COVER	1
4	B1.C0410	VIS CHC M4X10 FT 8.8 / ZINC SCREW CHC 4X10 8.8	1
5	B2.04	ECROU M4 / NUT M4	1
6	PMFR373.101	SILENTBLOC ECHAPPEMENT DD2 / RUBBER BUFFER 30X30XM8	2
7	B3.P0816	RONDELLE PLATE d8 D16 EP1.6 / ZINC FLAT WASHER d8 D16 EP1.6	4
8	B2.N08	ECROU M8 NYLSTOP / ZINC NUT M8 NYLSTOP	4
12	PMFR373.002	RESSORT D'ECHAPPEMENT 66MM / SPRING 66MM FOR THE EXHAUST	2
13	PMFR373.006	RESSORT DE SILENCIEUX / SPRING	1

ITEM	REFERENCE	DESIGNATION	QTY
------	-----------	-------------	-----

OUTILLAGE REPAIR TOOLS



ITEM	REFERENCE	DESIGNATION	QTY
1	PMFR421.002	BLOQUE VILEBREQUIN / FIXATION TOOL FOR CRANKSHAFT	1
2	PMFR421.004	OUTIL MONTAGE JT SPI ARBRE SEC / INSERTION JIG FOR OILSEAL	1
3	PMFR421.005	OUTIL MONTAGE DIFFUSEUR / INSERTION JIG FOR NEEDLE BUSHI	1
4	PMFR421.006	OUTIL MONTAGE AXE TURBINE / INSERTION JIG FOR SLOTTED PIN	1
5	PMFR421.017	OUTIL MONTAGE JT SPI POMPE EAU / INSERTION JIG	1
7	PMFR421.018	OUTIL BLOCAGE ARBRE PRIMAIRE / FIX TOOL FOR PRIM GEARS	1
8	PMFR421.008	OUTIL MONTAGE CLIPS AXE PISTON / INSERTION TOOL OF PISTON PIN	1
9	PMFR421.019	OUTIL BLOCAGE PLATEAU EMBR. / TOOL TO BLOCK THE STARTER GEAR	1
10	PMFR421.010	SUPPORT MOTEUR / TRESTLE SUPPORT ASSY	1
11	PMFR421.011	SUPPORT MOTEUR MAX+DD2 / TRESTLE SUPPORT ASSY	1
12	PMFR421.020	CROCHET POUR RESSORT ECHAPP / SPRING HOOK FOR EXHAUST SPRING	1
13	PMFR421.027	FILS D'ETAIN 2MM / TIN WIRE 2MM	1
19	PMFR421.003	EXTRACTEUR D'EMBAYAGE / PULLER FOR THE STARTER GEAR	1
20	OU922.005	OUTIL MONTAGE RESSORT VALVE / VALVE SPRING'S TOOL	1

ITEM	REFERENCE	DESIGNATION	QTY
------	-----------	-------------	-----

Coupe de Marque ROTAX

Parc d'Activités des Hauts de Couëron

BP 60 - 44220 COUËRON - FRANCE

Tél. : 02 40 38 26 20

Fax : 02 40 38 26 21

www.clubrotaxfrance.com

VOTRE REVENDEUR